


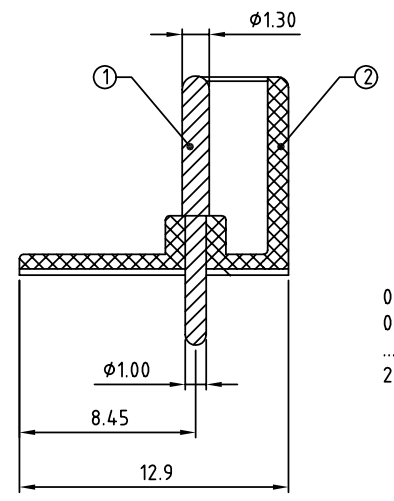
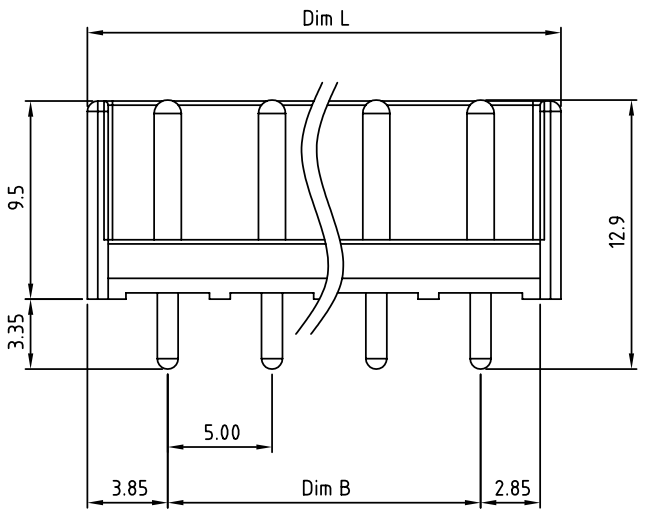
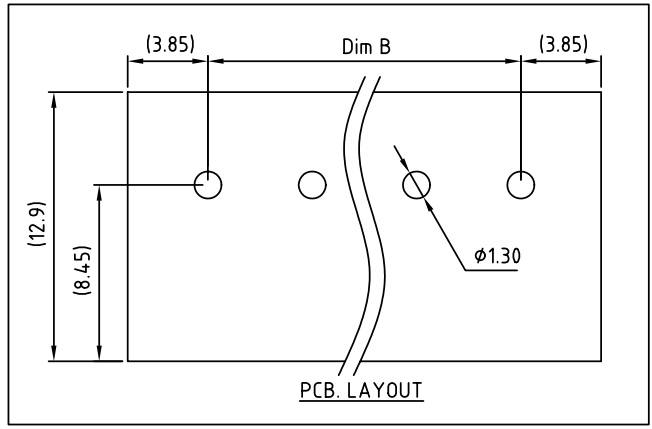
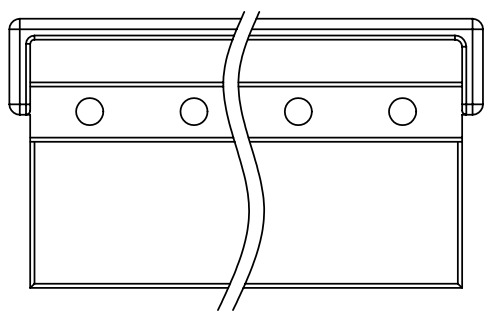
SIGN	DATE	DESCRIPTION	APPROVER
△	10/28'08	The temperature changed from -40°C to +115°C	Kind
<i>THIS IS CAD DRAWING, DO NOT REVISE MANUALLY!!!</i>			

Material

- Item ① Male contact pin: Brass(CuZn),Tin or Au plated.
- Item ② Terminal (housing): Thermoplastic (UL94V-0)

Electrical

- Voltage rating: 300V
- Current rating: 10A
- Withstanding Voltage: 1.6KV
- △ ● Operating temperature: -40°C to +115°C
- Soldering temperature: 250°C±10°C/5 Sec
- Safety Approval: 



EX xx 0 x x 0 xxxx G

02	2 CONTACTS	0	Tin plating	000 0	Standard	Pb < 40,000ppm
03	3 CONTACTS	1	G/F plating		Any special item by	(RoHS)
...	...				customer request,	
24	24 CONTACTS			0	Black (RAL9005)	
				2	Red (RAL3001/D)	
				3	Orange(RAL2011/P)	
				4	Yellow(RAL1018/A)	
				5	Green(RAL6018/T)	
				6	Blue (RAL5015/A)	
				8	Grey(RAL7035/D)	

Poles	02	03	04	05	06	07	08	09	10	11	12	13	
Dim L	12.7	17.7	22.7	27.7	32.7	37.7	42.7	47.7	52.7	57.7	62.7	67.7	
Dim B	5.00	10.00	15.00	20.00	25.00	30.00	35.00	40.00	45.00	50.00	55.00	60.00	
TOL	±0.15						±0.20					±0.25	
Poles	14	15	16	17	18	19	20	21	22	23	24		
Dim L	72.7	77.7	82.7	87.7	92.7	97.7	102.7	107.7	112.7	117.7	122.7		
Dim B	65.00	70.00	75.00	80.00	85.00	90.00	95.00	100.0	105.0	110.0	115.0		
TOL	±0.25						±0.30						

ANYTEK				CUSTOMER COPY			
ALL RIGHTS RESERVED. REPRODUCTION OR ISSUE TO THIRD PARTIES IN ANY FORM WHATSOEVER IS NOT PERMITTED WITHOUT WRITTEN AUTHORITY FROM THE PROPRIETOR. PROPERTY OF ANYTEK TECHNOLOGY CO., LTD							
TITLE		EX 5.0 Series 2P-24P					
PART NO.		EXxx0xx0xxxxG			DWG NO.		8EX0001
APPROVED		CHECKED	DESIGNED	DRAWN	CUST NO.		Tolerance
							X. ±0.50
			Kind	Kind			X.X ±0.30
			2008.10.28	2008.10.28			X.XX ±0.10
					SHEET: 01/01		X° ±1°
					UNIT: mm		
					SCALE: NONE		
					REV.: C		