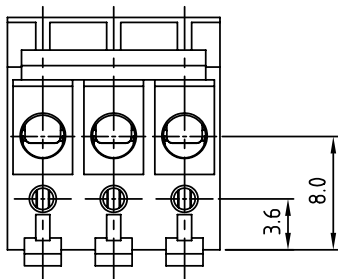
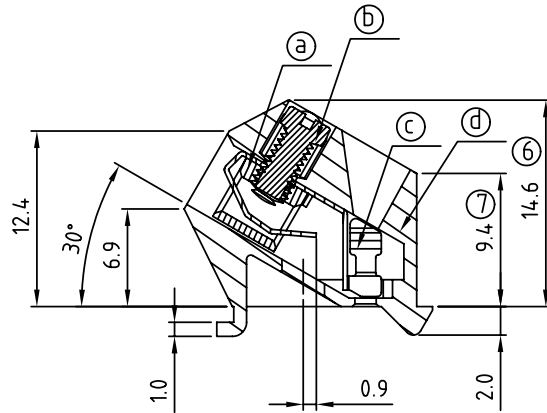
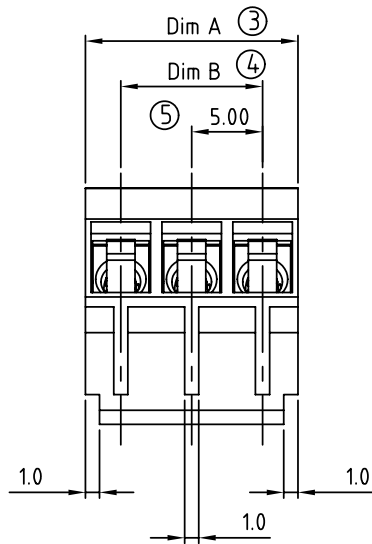
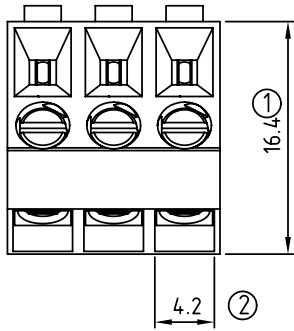


SIGN	DATE	DESCRIPTION	APPROVER
△	04/07'09	wire range and operating temperature are changed	Jacke
△	04/07'09	Add UL standard	Jacke
THIS IS CAD DRAWING, DO NOT REVISE MANUALLY!!!			



N = Number of poles
 Dim A = N x 5.0
 Dim B = (N-1) x 5.0

	Dim A	Dim B
2-6p	±0.15	±0.10
7-12p	±0.20	±0.20
13-18p	±0.30	±0.25
19-24p	±0.40	±0.30

Material

- Item a Clamp: Brass (CuZn), Ni plating
 - Item b Terminal screw: Steel Zinc plating "-" slot type
 - Item c Female contact: PhBz (CuSn) Tin plated
 - Item d Terminal(housing): Thermoplastic(UL94V-0)
- △ Electrical cULus
- Voltage rating: 300V
 - Current rating: 10A
 - Wire range:
 - Solid wire(AWG): 14-26
 - Stranded wire(AWG): 14-26
 - Torque(Lb-In): 3.5
 - Screw: M3
 - Wire strip length: 6-7mm
 - Withstanding Voltage: 1.6KV
 - Operating temperature: -40°C to +115°C
 - Safety APPROVAL:

VG xx 01 x 0 xxxx G

- | | | | | |
|-----|-------------|---|-------------------|---------------------------|
| 02 | 2 CONTACTS | 0 | Black (RAL9005) | |
| 03 | 3 CONTACTS | 2 | Red (RAL3001/D) | |
| ... | ... | 3 | Orange(RAL2011/P) | 0000:"@ "Logo (Standard) |
| 24 | 24 CONTACTS | 4 | Yellow(RAL1018/A) | 000A:"ANYTEK" Logo |
| | | 5 | Green(RAL6018/T) | Any special item by |
| | | 6 | Blue (RAL5015/A) | customer request, |
| | | 8 | Grey(RAL7035/D) | please contact sales |
| | | | | department. |
- RoHS
Pb<40,000ppm

ANYTEK

CUSTOMER COPY

ALL RIGHTS RESERVED. REPRODUCTION OR ISSUE TO THIRD PARTIES IN ANY FORM WHATSOEVER IS NOT PERMITTED WITHOUT WRITTEN AUTHORITY FROM THE PROPRIETOR. PROPERTY OF ANYTEK TECHNOLOGY CO., LTD

TITLE		VG -5.0mm Series					
PART NO.		VGxx01x0xxxxG		DWG NO.	8VG0001		
APPROVED	CHECKED	DESIGNED	DRAWN	CUST NO.			
		Jacke	Jacke				
		2009.04.08	2009.04.08				
					Tolerance		
					X.	±0.50	
				UNIT: mm	X.X	±0.30	
				SCALE: NONE	X.XX	±0.10	
				SHEET: 01/01	REV.: E	X°	±1°