

**TY xx 01 x 0 xxxx G**  $\triangle$

Solid Block  
 02 2 CONTACTS  
 03 3 CONTACTS  
 ... ..  
 24 24 CONTACTS

0 Black (RAL9005)  
 2 Red (RAL3001/D)  
 3 Orange(RAL2011/P)  
 4 Yellow(RAL1018/A)  
 5 Green(RAL6018/T)  
 6 Blue (RAL5015/A)  
 8 Grey(RAL7035/D)  
 9 White(RAL1102)  
 C Green(RAL6018/U)

G RoHS compliant (lead<4%)  
 In copper Alloy  
 0000:"@"Logo (Standard)  
 000A:"ANYTEK"Logo  
 Any special item by customer request, please contact sales department.

SIGN	DATE	DESCRIPTION	APPROVER
$\triangle$	2008.12.02	Add the tolerance table	Jacke
$\triangle$	2008.12.02	Add the inspection dimension	Jacke
$\triangle$	2008.12.02	The temperature changed from -30°C, +105°C to -40°C,+115°C	Jacke
$\triangle$	2008.12.16	The dimension changed from 1.1mm to 1.06mm+0.05/-0	Jacke
$\triangle$	2009.04.19	Add TUV standard	Jacke
$\triangle$	2013.11.19	Update the drawing	Chen Bo

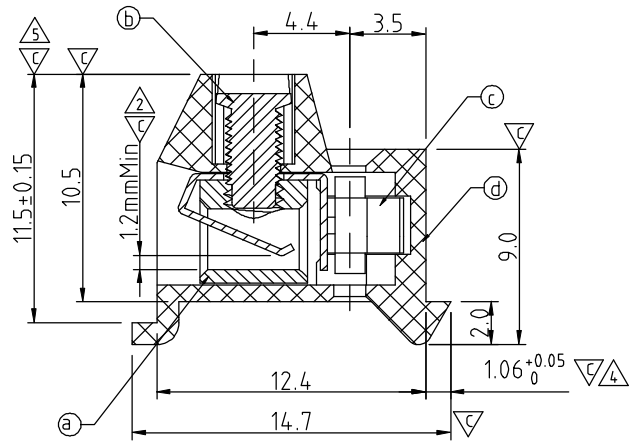
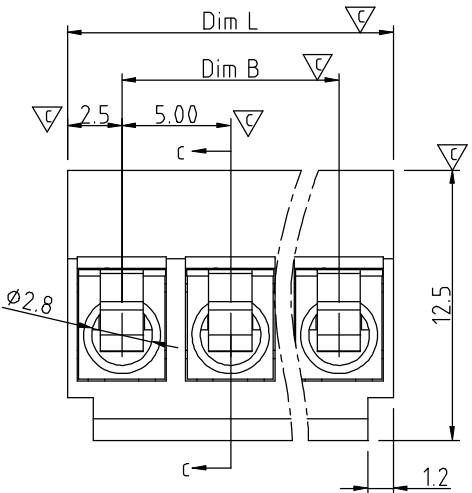
THIS IS CAD DRAWING, DO NOT REVISE MANUALLY!!!

**Material**

- Item (a) Terminal body(metal housing): Brass (Cu Zn)
- Item (b) Terminal screw: Steel Zinc plating "-" slot type
- Item (c) Wire guard: PhBz,tin plated
- Item (d) Terminal (housing): Thermoplastic (UL94V-0)

**Electrical cULus TUV**

- Voltage rating: 300VAC /300VAC
- Current rating: 10A /10A
- Wire range: 0.2-2.5mm
- Solid wire(AWG): 14-26/14-26
- Stranded wire(AWG): 14-26/14-26
- Torque: 3.5Lb-In /0.4Nm
- Screw: M2.6
- Wire strip length: 6-7mm
- Withstanding Voltage: 1.6KV/2.5KV
- Operating temperature: -40°C to +115°C
- Safety Approval: cULus TUV
- Critical dimension:  $\triangle$



SECTION C-C



Dimension

Dim L	Nx5.0
Dim B	(N-1)x5.0

N= Number of poles

Poles	Tolerance
2P-6P	±0.15
7P-12P	±0.20
13P-18P	±0.25
19P-24P	±0.30

<b>ANYTEK</b>				<b>CUSTOMER COPY</b>					
								ALL RIGHTS RESERVED. REPRODUCTION OR ISSUE TO THIRD PARTIES IN ANY FORM WHATSOEVER IS NOT PERMITTED WITHOUT WRITTEN AUTHORITY FROM THE PROPRIETOR. PROPERTY OF ANYTEK TECHNOLOGY CO., LTD	
TITLE		TY-5.0mm Series (two beam contact)							
PART NO.		TYxx01x0xxxxG			DWG NO.		8TY0001		
APPROVED		CHECKED		DESIGNED		DRAWN		CUST NO.	
				Chen Bo 11/19`13		Chen Bo 11/19`13			
								Tolerance	
								X. ±0.50 X.X ±0.30 X.XX ±0.10 X° ±1°	
						SHEET: 01/01		REV.: E	