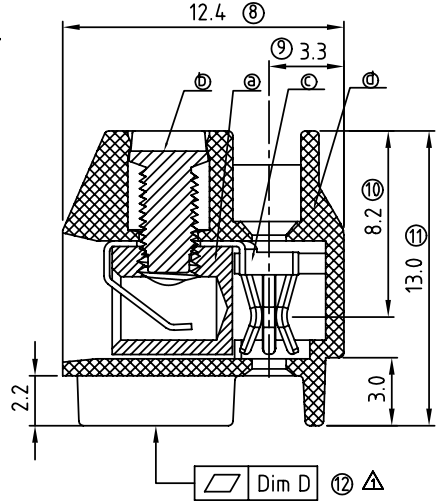
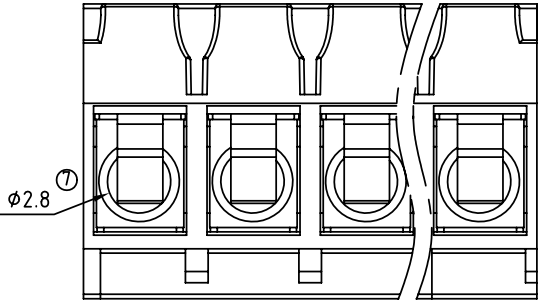
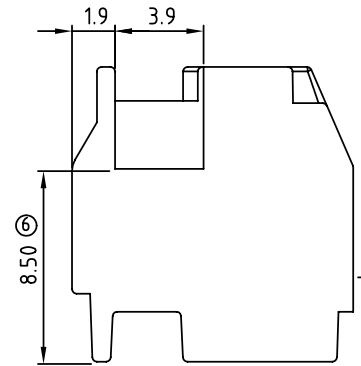
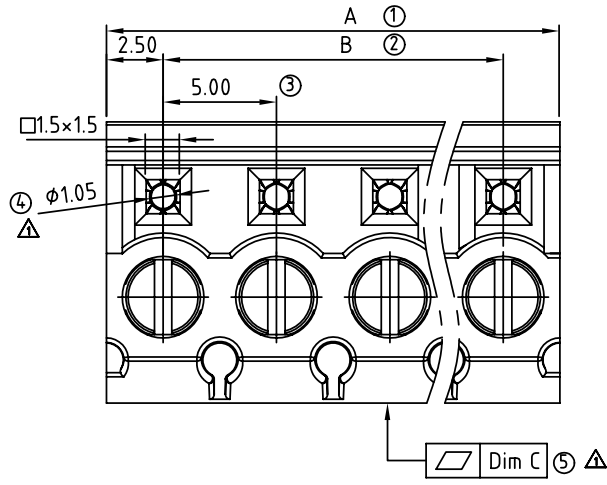


SIGN	DATE	DESCRIPTION	APPROVER
△	2009.03.31	Add the inspection dimension	Jacke
△	2010.05.30	Add cULus standard	Jacke
THIS IS CAD DRAWING, DO NOT REVISE MANUALLY!!!			



Material

- Item ③ Clamp: Brass(CuZn) Ni plated
- Item ⑤ Terminal screw: Steel Zinc plating "-" slot type
- Item ⑥ Female contact: PhBz (CuSn) Tin plated
- Item ⑦ Terminal (housing): Thermoplastic (UL94V-0)

Electrical cULus

- Voltage rating: 300V
- Current rating: 10A
- Wire range:
- Solid wire(AWG): 14-26
- Stranded wire(AWG): 14-26
- Torque: 3.5Lb-In
- Screw: M2.6
- Wire strip length: 5-6mm
- Withstanding Voltage: 1.6KV
- Operating temperature: -40°C to +115°C
- Safety Approval: cULus

KR xx 01 x 0 xxxx G

- RoHS Pb<4,000ppm
- | | | | | |
|---------------|---|-------------------|------|----------------------|
| Poles | 0 | Black (RAL9005) | 0000 | Standard @ Logo |
| 02 2Contacts | 2 | Red (RAL3001/D) | 000A | Standard ANY Logo |
| 02 3Contacts | 3 | Orange(RAL2011/P) | | Any special item by |
| — | 4 | Yellow(RAL1018/A) | | customer request, |
| 24 24Contacts | 5 | Green(RAL6018/T) | | please contact sales |
| | 6 | Blue (RAL5015/A) | | department. |
| | 8 | Grey(RAL7035/D) | | |

N = Number of poles
 Dim A=Nx5.0
 Dim B=(N-1)x5.0

	Dim A	Dim B	Dim C	Dim D
2P	±0.05	±0.05	≤0.05	≤0.05
3-6p	±0.15	±0.15	≤0.10	≤0.10
7-12p	±0.20	±0.20	≤0.20	≤0.20
13-18p	±0.30	±0.30	≤0.40	≤0.40
19-24p	±0.40	±0.40	≤0.40	≤0.40

ANYTEK		CUSTOMER COPY				
		ALL RIGHTS RESERVED. REPRODUCTION OR ISSUE TO THIRD PARTIES IN ANY FORM WHATSOEVER IS NOT PERMITTED WITHOUT WRITTEN AUTHORITY FROM THE PROPRIETOR. PROPERTY OF ANYTEK TECHNOLOGY CO., LTD				
TITLE	KR 5.0mm Series "-" (Without hook)					
PART NO.	KRxx01x0xxxxG	DWG NO.	8KR0001			
APPROVED	CHECKED	DESIGNED	DRAWN	CUST NO.	Tolerance	
		Jacke 2010.05.30	Jacke 2009.03.31		X. ±0.50	
					UNIT: mm	X.X ±0.30
					SCALE: NONE	X.XX ±0.10
				SHEET: 01/01	REV.: D	
					X° ±1°	