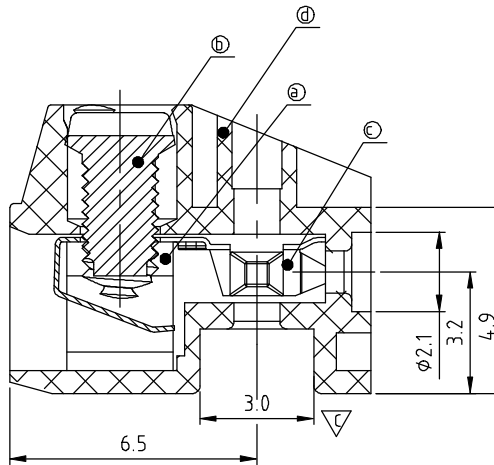
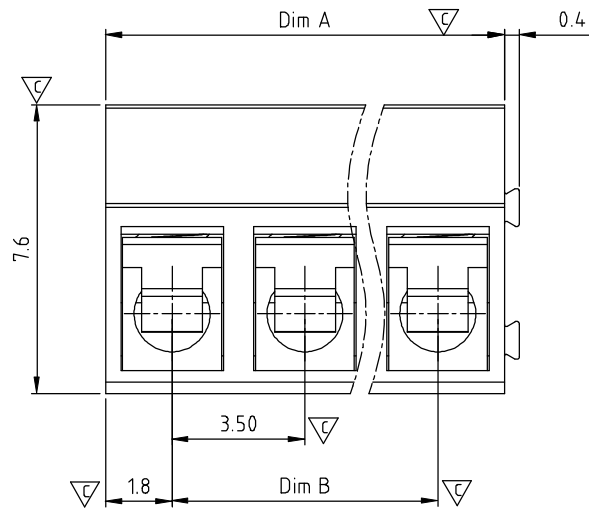
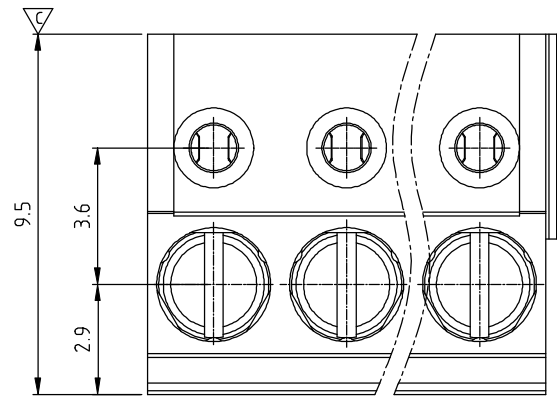


SIGN	DATE	DESCRIPTION	APPROVER
△	07/22`13	update the drawing	Chen Bo
<i>THIS IS CAD DRAWING, DO NOT REVISE MANUALLY!!!</i>			



Material

- Item a Clamp: Brass(Cuzn) Ni plated
- Item b Terminal screw: Steel Zinc plating:“-“slot type
- Item c Female contact: PhBz
- Item d Terminal(housing): Thermoplastic (UL94V-0)

Electrical cULus

- Voltage rating: 150VAC
- Current rating: 10A
- Wire range:
- Solid wire(AWG): 16-28
- Stranded wire(AWG):16-28
- Torque(Lb-In): 1.1
- Screw: M2
- Wire strip length: 5-6mm
- Withstanding Voltage: 1.3KV
- Operating temperature: -40°C to +115°C
- Safety Approval: us
- Critical dimension:

EHxx21x0xxxxG

- | | | |
|---------------|---------------------|---|
| Poles | | G RoHS compliant (lead<4%)
In copper Alloy |
| 02 2Contacts | | |
| 03 3Contacts | | |
| ... | | |
| 24 24Contacts | 0 Black (RAL9005) | 0000 Standard @ Logo |
| | 2 Red (RAL3001/D) | 000A Standard ANY Logo |
| | 3 Orange(RAL2011/P) | Any special item by customer request, |
| | 4 Yellow(RAL1018/A) | please contact sales department. |
| | 5 Green(RAL6018/T) | |
| | 6 Blue (RAL5015/A) | |
| | 8 Grey(RAL7035/D) | |
| | 9 White(RAL1102) | |
| | C Green(RAL6018/U) | |

N = Number of poles
 Dim A=Nx3.5
 Dim B=(N-1)x3.5

	Dim A	Dim B
2-6p	±0.15	±0.15
7-12p	±0.20	±0.20
13-18p	±0.25	±0.25
19-24p	±0.30	±0.25

ANYTEK				CUSTOMER COPY			
ALL RIGHTS RESERVED. REPRODUCTION OR ISSUE TO THIRD PARTIES IN ANY FORM WHATSOEVER IS NOT PERMITTED WITHOUT WRITTEN AUTHORITY FROM THE PROPRIETOR. PROPERTY OF ANYTEK TECHNOLOGY CO., LTD							
TITLE		EH - 3.5mm Series		DWG NO.		8EH0001	
PART NO.		EHxx21x0xxxxG		CUST NO.			
APPROVED		CHECKED	DESIGNED	DRAWN	Tolerance		
			Chen Bo	Chen Bo			
			09/12`13	09/12`13			
				SHEET: 01/01		REV.: D	
				UNIT: mm		X. ±0.50	
				SCALE: NONE		X.X ±0.30	
						X.XX ±0.10	
						X° ±1°	