


SIGN	DATE	DESCRIPTION	APPROVER
△	6/24'06	Voltage rating is changed from 250V to 300V	Marvin
△	6/24'06	Current rating is changed from 6A to 10A	Marvin
△	6/24'06	Withstanding Voltage is changed from 1.5KV to 1.6KV	Marvin

THIS IS CAD DRAWING, DO NOT REVISE MANUALLY!!!

Material

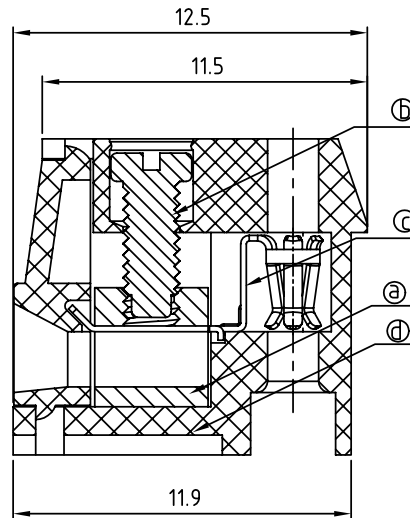
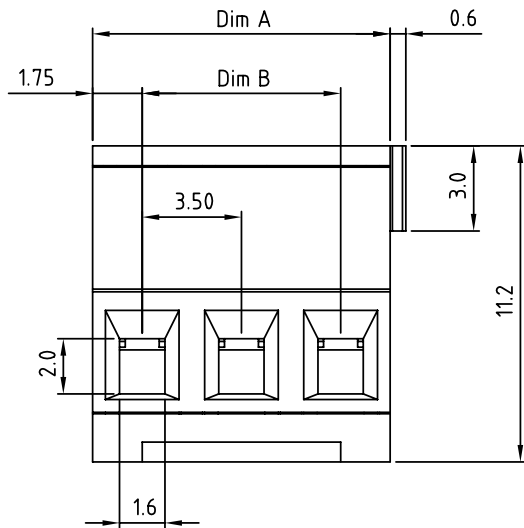
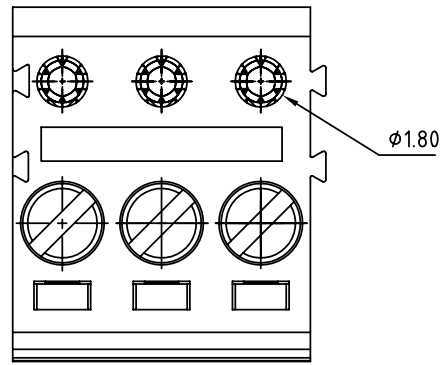
- Item a Clamp: Brass(CuZn) Ni plated
- Item b Terminal screw: Steel Zinc plating "--" slot type
- Item c Female contact: PhBz, Tin plated.
- Item d Terminal (housing): Thermoplastic (UL94V-0)

Electrical

- △ ● Voltage rating: 300VAC
- △ ● Current rating: 10A
- Wire range:
 - Solid wire(AWG): 16-28
 - Stranded wire(AWG): 16-28
- Torque(Lb-In): 1.7
- Screw: M2
- Wire strip length: 5-6mm
- △ ● Withstanding Voltage: 1.6KV
- Operating temperature: -40°C to +115°C
- Safety approval: us

TT xx 21x 0 xxxx G

02 2 CONTACTS	0 Black (RAL9005)	RoHS
03 3 CONTACTS	2 Red (RAL3001/D)	Pb<40,000ppm
...	3 Orange(RAL2011/P)	
24 24 CONTACTS	4 Yellow(RAL1018/A)	0000 Standard @ Logo
	5 Green(RAL6018/T)	000A Standard ANY Logo
	6 Blue (RAL5015/A)	Any special item by
	8 Grey(RAL7035/D)	customer request,
		please contact sales
		department.



N=Number of contacts

Dim A=NX3.5

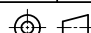
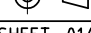
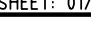
Dim B=(N-1)X3.5

	Dim A	Dim B
2P-6p	±0.15	±0.15
7P-12p	±0.20	±0.20
13P-18p	±0.25	±0.25
19P-24p	±0.30	±0.30

ANYTEK

CUSTOMER COPY

ALL RIGHTS RESERVED. REPRODUCTION OR ISSUE TO THIRD PARTIES IN ANY FORM WHATSOEVER IS NOT PERMITTED WITHOUT WRITTEN AUTHORITY FROM THE PROPRIETOR. PROPERTY OF ANYTEK TECHNOLOGY CO., LTD

TITLE		TT-3.5mm Series (6-fingers contacts)			
PART NO.		TTxx21x0xxxxG		DWG NO.	8TT0201
APPROVED	CHECKED	DESIGNED	DRAWN	CUST NO.	
	Marvin 2006.06.24	Marvin 2006.06.24	Marvin 2006.06.24		Tolerance
					X. ±0.50
					X.X ±0.30
					X.XX ±0.10
					X° ±1°
SHEET: 01/01				UNIT: mm	
				SCALE: NONE	
				REV.: D	