


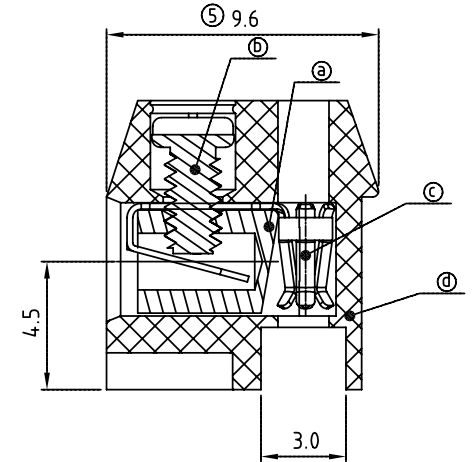
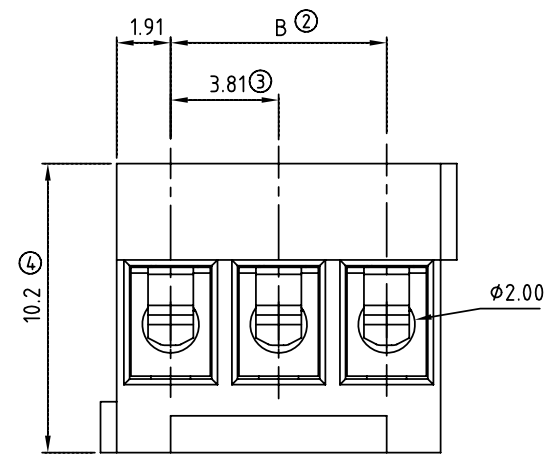
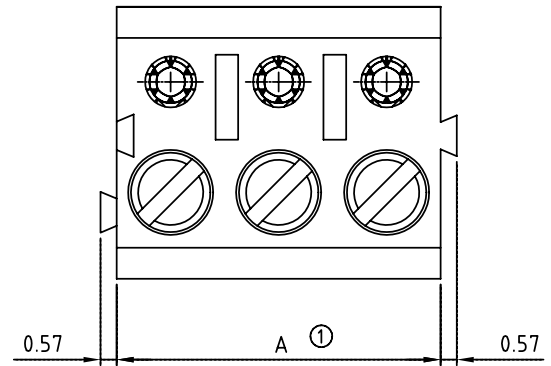
SIGN	DATE	DESCRIPTION	APPROVER
△	06/23'06	Voltage/Curren is changed from 250V/6A to 300V/10A	Marvin
△	06/23'06	Added cULus logo	Marvin
<i>THIS IS CAD DRAWING, DO NOT REVISE MANUALLY!!!</i>			

Material

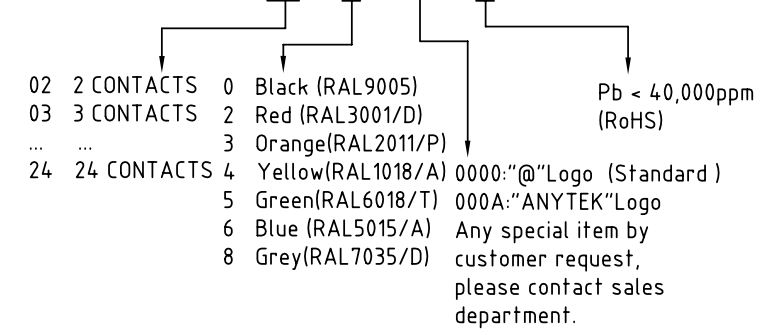
- Item a Clamp: Brass(CuZn) Ni plated
- Item b Terminal screw: Steel Zinc plating "-" slot type
- Item c Female contact :PhBz (CuSn)Tin plated
- Item d Terminal (housing): Thermoplastic (UL94V-0)

Electrical cULus

- Voltage rating: 300V
- Current rating: 10A
- Wire range:
- Solid wire(AWG): 16-28
- Stranded wire(AWG): 16-28
- Torque: 1.7Lb-In
- Screw: M2
- Wire strip length: 5-6mm
- Withstanding Voltage: 1.6KV
- Operating temperature: -40°C to +115°C
- △ Safety approval: 



TH xx 41x 0 xxxx G



DIMENSION

A	N×3.81
B	(N-1)×3.81


N= NUMBER OF CONCATS

2p-6p	±0.15
7p-12p	±0.25
13p-16p	±0.35
17p-24p	±0.40

ANYTEK

CUSTOMER COPY

ALL RIGHTS RESERVED. REPRODUCTION OR ISSUE TO THIRD PARTIES IN ANY FORM WHATSOEVER IS NOT PERMITTED WITHOUT WRITTEN AUTHORITY FROM THE PROPRIETOR. PROPERTY OF ANYTEK TECHNOLOGY CO., LTD

TITLE		TH-3.81mm series "-" Stackable Type			
PART NO.		THxx41x0xxxxG		DWG NO.	8TH0301
APPROVED	CHECKED	DESIGNED	DRAWN	CUST NO.	
	Marvin 2006.06.23	Marvin 2006.06.23	Marvin 2006.06.23		
					Tolerance
					UNIT: mm
				SCALE: NONE	X.X ±0.30
				SHEET: 01/01	X.XX ±0.10
				REV.: E	X° ±1°