


SIGN	DATE	DESCRIPTION	APPROVER
△	2009.08.22	Poles are changed from 2-24P to 4-24P.	Jacke
△	2009.09.04	The part No is changed	Jacke
<i>THIS IS CAD DRAWING, DO NOT REVISE MANUALLY!!!</i>			

Material

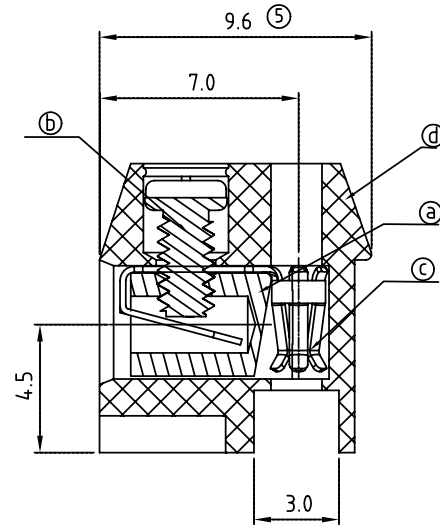
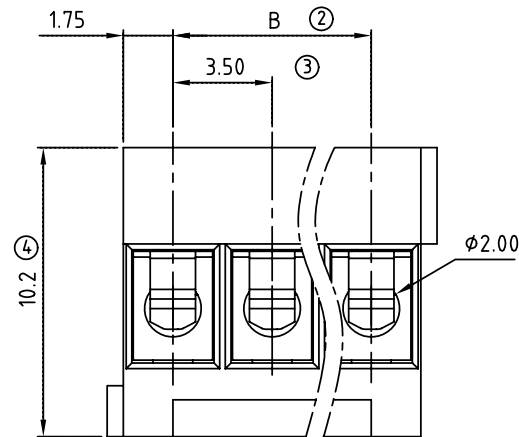
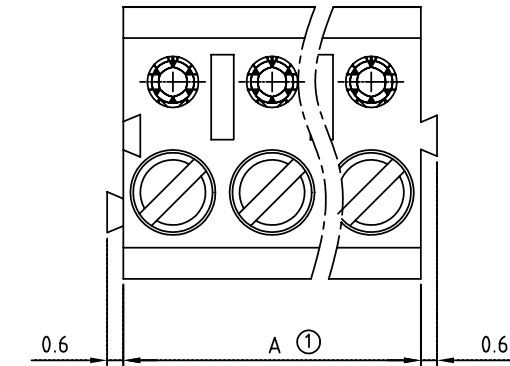
- Item a Clamp: Brass(CuZn) Ni plated
- Item b Terminal screw: Steel Zinc plating "-" slot type
- Item c Female contact :PhBz (CuSn) Tin plated
- Item d Terminal housing : Thermoplastic (UL94V-0)

Electrical cULus

- Voltage rating: 300V
- Current rating: 10A
- Wire range:
- Solid wire(AWG): 16-28
- Stranded wire(AWG): 16-28
- Torque: 1.7Lb-In
- Screw: M2
- Wire strip length: 5-6mm
- Withstanding Voltage: 1.6KV
- Operating temperature: -40°C to +115°C
- Safety approval: 

TH xx 21x 1 xxxx G

04	4 CONTACTS	0	Black (RAL9005)	Pb < 40,000ppm (RoHS)
05	5 CONTACTS	2	Red (RAL3001/D)	
...	...	3	Orange(RAL2011/P)	
24	24 CONTACTS	4	Yellow(RAL1018/A)	0000:"@Logo (Standard)
		5	Green(RAL6018/T)	000A:"ANYTEK"Logo
		6	Blue (RAL5015/A)	Any special item by customer request,
		8	Grey(RAL7035/D)	please contact sales department.



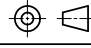
N = Number of poles
 Dim A=Nx3.5
 Dim B=(N-1)x3.5

	Dim A	Dim B
4-6p	±0.20	±0.15
7-12p	±0.25	±0.20
13-24p	±0.30	±0.25

ANYTEK

CUSTOMER COPY

ALL RIGHTS RESERVED. REPRODUCTION OR ISSUE TO THIRD PARTIES IN ANY FORM WHATSOEVER IS NOT PERMITTED WITHOUT WRITTEN AUTHORITY FROM THE PROPRIETOR. PROPERTY OF ANYTEK TECHNOLOGY CO., LTD

TITLE		TH-3.5mm series "-" (Solid Block Type)			
PART NO.	THxx21x1xxxxG	DWG NO.	8TH0211		
APPROVED	CHECKED	DESIGNED	DRAWN	CUST NO.	Tolerance
		Jacke 2009.09.04	Jacke 2009.09.04		X. ±0.50
				UNIT: mm	X.X ±0.30
				SCALE: NONE	X.XX ±0.10
				SHEET: 01/01	X° ±1°
				REV.: C	