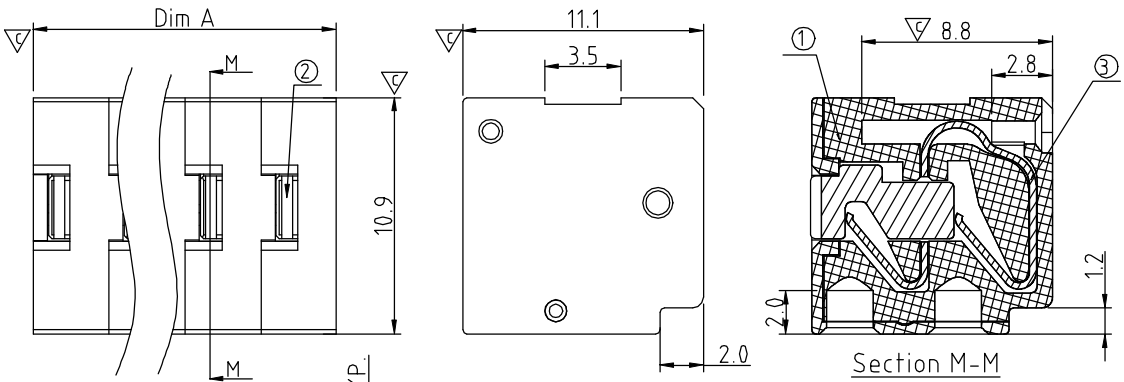


SIGN	DATE	DESCRIPTION	APPROVER
△	11/10'14	change the wire range	Chen Bo

THIS IS CAD DRAWING, DO NOT REVISE MANUALLY!!!

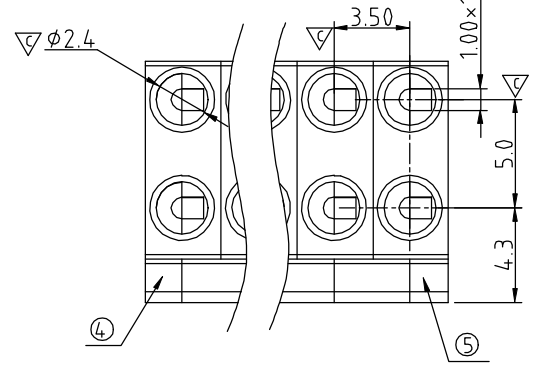


Material

- Item① Insulating body(middle): Thermoplastic (UL94V-0)
- Item② Insulating lever:Thermoplastic (UL94V-0) Orange(RAL2011/P)
- Item③ Spring clamp: Phosphor Bronze , Tin Plated
- Item④ Insulating cover:Thermoplastic (UL94V-0)
- Item⑤ Insulating body(side):Thermoplastic (UL94V-0)

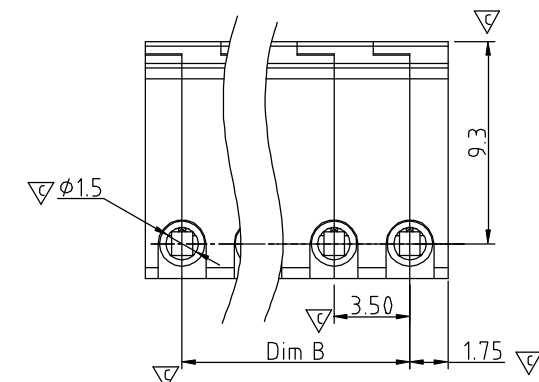
Electrical cULus

- Voltage rating: 300V
- Current rating: 2A
- Wire range : 2×AWG 20-26 (Solid wire)
- Wire strip length: 5-6mm
- Withstanding Voltage: 1.6KV
- Operating temperature: -40°C to +115°C
- Safety Approval:
- Critical dimension: ▽



NU xx 0 0 x 0 xxxx G

NO. of poles	0	0	x	0	xxxx	G	RoHS compliant (lead<4%) In copper Alloy
01 1 Poles							0000: "@ " Logo (Standard)
02 2 Poles							000A: "ANYTEK" Mark
...							Any special item by customer request. please contact sales department.
24 24 Poles	Pitch	0	3.50	Body Color			
				0 Black (RAL9005)			
				2 Red (RAL3001/D)			
				3 Orange(RAL2011/P)			
				4 Yellow(RAL1018/A)			
				5 Green(RAL6018/T)			
				6 Blue (RAL5015/A)			
				8 Grey(RAL7004/P)			
				9 White(RAL1102)			
				C Multiple colors			



N=Number of poles
Dimension A&B

DIM A	N×3.50
DIM B	(N-1)×3.50

Poles	Tolerance
1p-5p	+0.15/-0.15
6p-10p	+0.25/-0.25
11p-15p	+0.35/-0.35
16p-24p	+0.40/-0.40

ANYTEK				CUSTOMER COPY			
ALL RIGHTS RESERVED. REPRODUCTION OR ISSUE TO THIRD PARTIES IN ANY FORM WHATSOEVER IS NOT PERMITTED WITHOUT WRITTEN AUTHORITY FROM THE PROPRIETOR. PROPERTY OF ANYTEK TECHNOLOGY CO., LTD							
TITLE		NU 3.5mm series					
PART NO.		NUxx00x0xxxxG			DWG NO.		8NU0001
APPROVED		CHECKED		DESIGNED		DRAWN	
		Chen Bo		Chen Bo			
		11/10'14		07/12'14			
						Tolerance X. ±0.50 X.X ±0.30 X.XX ±0.10 X° ±1°	
						UNIT: mm SCALE: NONE	
				SHEET: 01/01		REV.: C	