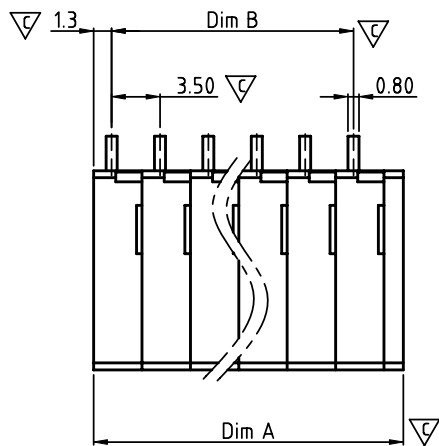


SIGN	DATE	DESCRIPTION	APPROVER
△	04/05'13	change the structure & update the drawing	Da cheng
△	10/17'13	Add is cULus	Da cheng
△			
△			
△			
△			

THIS IS CAD DRAWING, DO NOT REVISE MANUALLY!!!



DIMENSION

Dim A	NX3.50+1.40
Dim B	(N-1)X3.50

N=Number of contacts

Poles	Tolerance
1p-6p	±0.10
7p-12p	±0.20
13p-18p	±0.30
19p-24p	±0.40

Material:

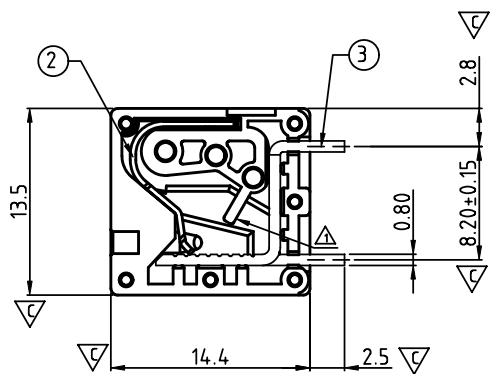
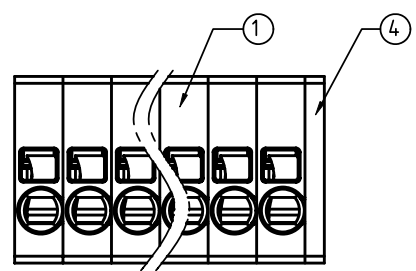
- Item 1 Terminal housing : Thermoplastic (UL 94V-0)
- Item 2 Spring clamp: Stainless steel
- Item 3 Solder pin : Brass ,Tin plated
- Item 4 Terminal cover : Thermoplastic (UL 94V-0)

△ **Electrical** cULus

- Voltage rating: 300VAC
- Current rating: 10A
- Wire range:
- Solid wire(AWG): 16-24
- Stranded wire(AWG): 16-24
- Wire strip length: 9-10mm
- Withstanding Voltage: 1.6KV
- Operating temperature: -40°C to +115°C
- Soldering temperature: 260°C±5°C/5 Sec

△ ● Safety Approval:

- Critical dimension: ▽



NJ xx 20 x 0 xxxx G

No. of poles

- 01 1 CONTACTS
- 02 2 CONTACTS
- 03 3 CONTACTS
-
- 24 24 CONTACTS

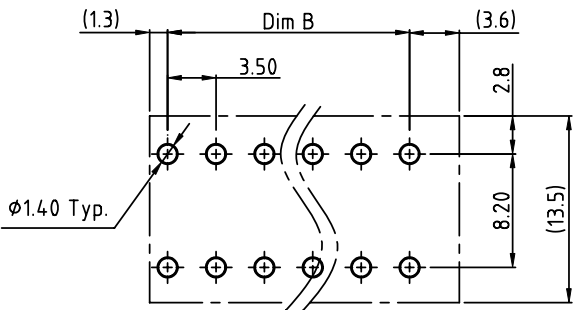
- △ Color
- 0 Black (RAL9005)
 - 2 Red (RAL3001/D)
 - 3 Orange(RAL2011/P)
 - 4 Yellow(RAL1018/A)
 - 5 Green(RAL6018/T)
 - 6 Blue (RAL5015/A)
 - 8 Grey(RAL7004/P)
 - 9 White(RAL1102)
 - C Multiple colors

△ RoHs compliant (lead<4%) In copper Alloy

0000:"@"Logo (Standard)

000A:"ANYTEK"Logo

Any special item by customer request, please contact sales department.



△ **P.C.B. LAYOUT**
Top view

ANYTEK				CUSTOMER COPY	
ALL RIGHTS RESERVED. REPRODUCTION OR ISSUE TO THIRD PARTIES IN ANY FORM WHATSOEVER IS NOT PERMITTED WITHOUT WRITTEN AUTHORITY FROM THE PROPRIETOR. PROPERTY OF ANYTEK TECHNOLOGY CO., LTD					
TITLE	NJ- 3.5 Series 1P-24P Vertical (90D wire inlet)				
PART NO.	NJxx20x0xxxxG		DWG NO.	8NJ0002	
APPROVED	CHECKED	DESIGNED	DRAWN	CUST NO.	Tolerance
		Dacheng 2013.10.21	Dacheng 2013.10.21		X. ±0.50 X.X ±0.30 X.XX ±0.10 X° ±1°
				UNIT: mm	
SHEET: 01/01				SCALE: NONE	
REV.: D					