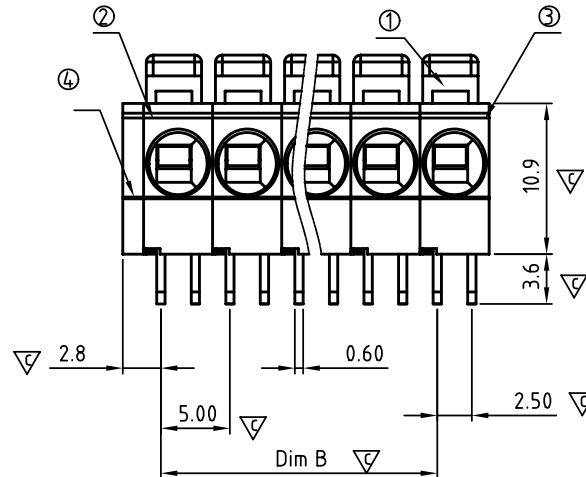
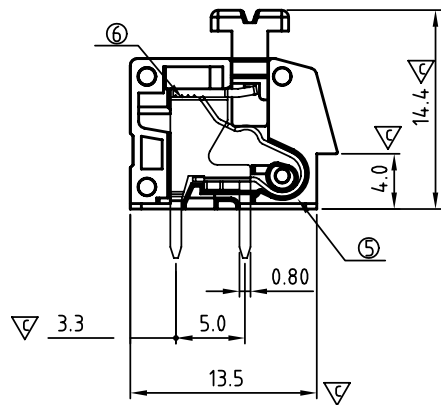
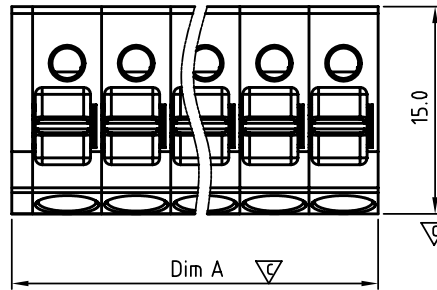


PCB Layout



SIGN	DATE	DESCRIPTION	APPROVER
△	08/24'12	Change the dwg no 8H60104 to 8H60601	Da cheng
THIS IS CAD DRAWING, DO NOT REVISE MANUALLY!!!			

Material:

- Item ① Lever: Thermoplastic (UL94V-0)
- Item ② Terminal body: Thermoplastic (UL94V-0)
- Item ③ Terminal side body: Thermoplastic (UL94V-0)
- Item ④ cover: Thermoplastic (UL94V-0)
- Item ⑤ Spring clamp: Stainless steel
- Item ⑥ contact pin: Brass.Tin plated

- Electrical: cULus VDE
- Voltage rating: 300 V 250 V
 - Current rating: 11 A 12 A
 - Wire range: 0.5-4mm²
 - Solid wire(AWG): 12-20
 - Stranded wire(AWG): 12-20
 - Wire strip length: 10-11 mm
 - Withstanding Voltage: 1.6KV 2KV
 - Operating temperature: -40°C to +115°C
 - Soldering temperature: 260°C ±5°C/5 Sec
 - Safety Approval:
 - Critical dimension:

H6 xx 0 0 x 0 xxxx G

No. OF POLES: 02: 2 POLES
: :
: :
24: 24 POLES

RoHS compliant (lead<4%)
In copper Alloy

0000: "@" Logo (Standard)
000A: "ANYTEK" Mark

Any special item by customer request.
please contact sales department.

COLOR:
0: BLACK
5: GREEN (RAL 6018/T)
6: BLUE
8: GREY (RAL 7004/P)

N=NUMBER OF POLES

DIM		TOL			
		2P--6P	7P--12P	13P--18P	19P--24P
Dim A	N×5.0+1.50	±0.15	±0.20	±0.30	±0.40
Dim B	(N-1)×5.0	±0.15	±0.20	±0.25	±0.30

ANYTEK

CUSTOMER COPY

ALL RIGHTS RESERVED. REPRODUCTION OR ISSUE TO THIRD PARTIES IN ANY FORM WHATSOEVER IS NOT PERMITTED WITHOUT WRITTEN AUTHORITY FROM THE PROPRIETOR. PROPERTY OF ANYTEK TECHNOLOGY CO., LTD

TITLE	H6 5.0mm Series (Round hole)				
PART NO.	H6xx00x0xxxxG		DWG NO.	8H60601 △	
APPROVED	CHECKED	DESIGNED	DRAWN	CUST NO.	Tolerance
		Da cheng 2012.08.24	Da cheng 2012.08.24		X. ±0.50 X.X ±0.30 X.XX ±0.10 X° ±1°
				UNIT: mm	
				SCALE: NONE	
				REV.: B	
				SHEET: 01/01	