

|      |      |             |          |
|------|------|-------------|----------|
| SIGN | DATE | DESCRIPTION | APPROVER |
| △    |      |             |          |

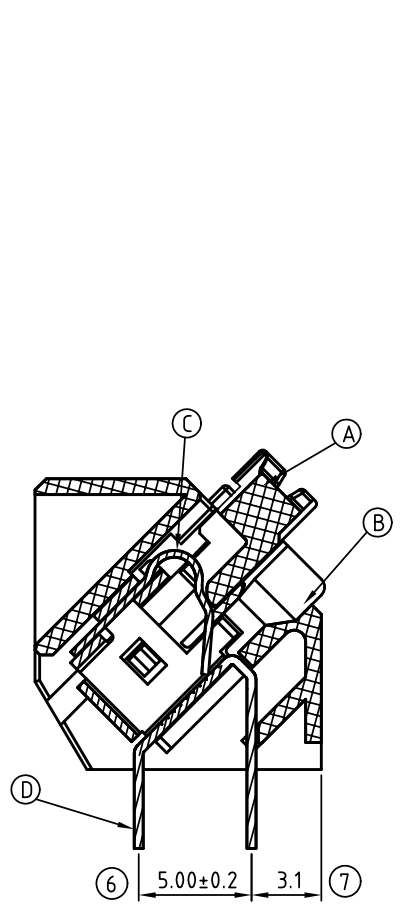
**THIS IS CAD DRAWING, DO NOT REVISE MANUALLY!!!**

**Material:**

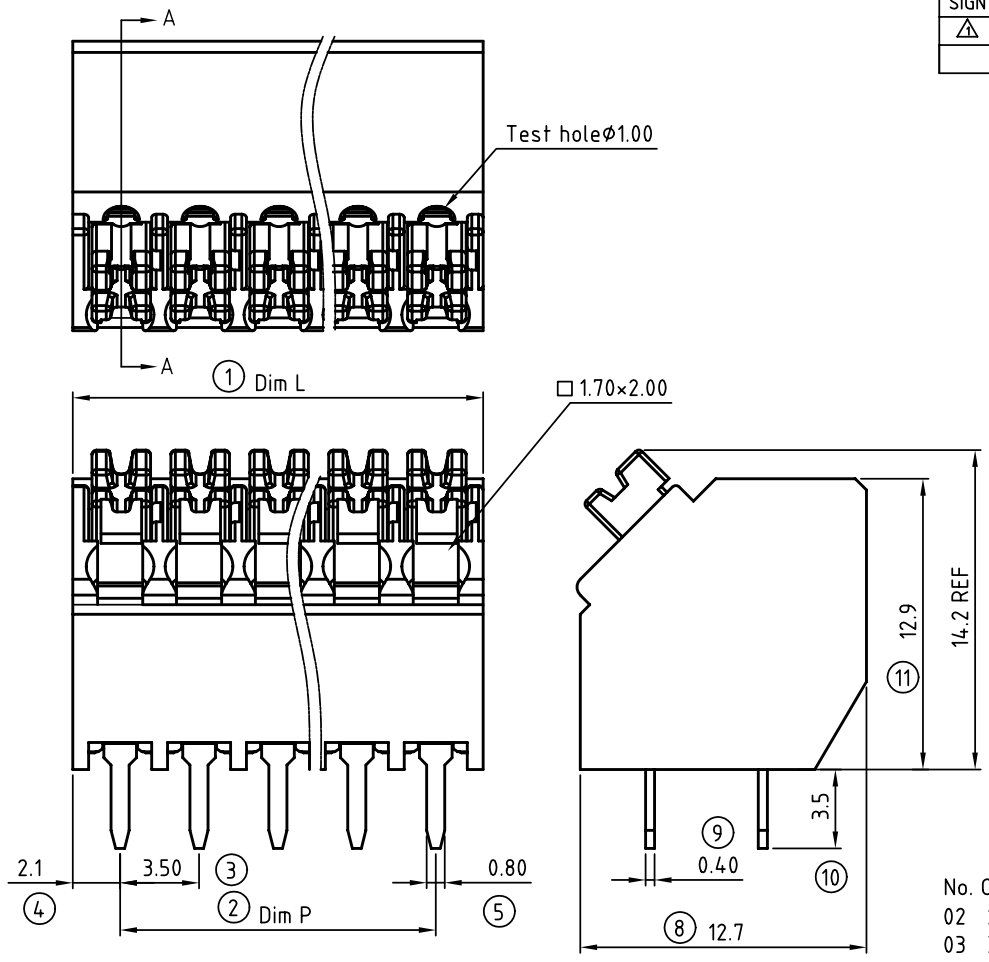
- Item (A) Lever: Thermoplastic (UL 94V-0)
- Item (B) Terminal housing: Thermoplastic (UL 94V-0)
- Item (C) Wire guard: Stainless steel
- Item (D) Solder Pin: Brass.Tin plated

**Electrical:**

- |                          |                  |
|--------------------------|------------------|
|                          | cULus            |
| ● Voltage rating:        | 300 V            |
| ● Current rating:        | 10 A             |
| ● Wire range:            |                  |
| ● Solid wire(AWG):       | 16-24            |
| ● Stranded wire(AWG):    | 16-24            |
| ● Wire strip length:     | 12-13 mm         |
| ● Withstanding Voltage:  | 1.6KV            |
| ● Operating temperature: | -40°C to +115°C  |
| ● Soldering temperature: | 250°C±10°C/5 Sec |
| ● Safety Approval:       |                  |



SECTION A-A

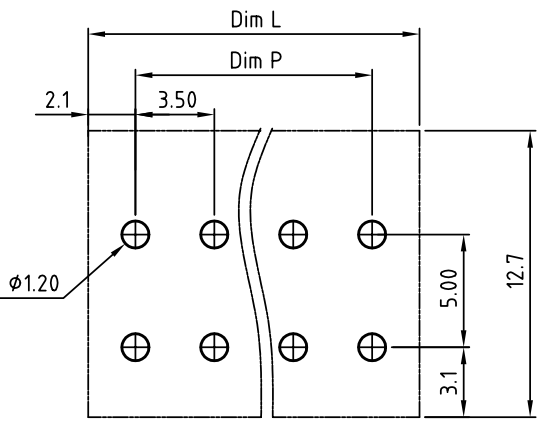


**NM xx 1 0 x 2 xxxx G**

No. OF POLES  
 02 2 CONTACTS  
 03 3 CONTACTS  
 ... ..  
 24 24 CONTACTS

Color  
 0 Black (RAL9005)  
 3: Orange (RAL 2011/P)  
 5: GREEN (RAL 6018/T)  
 6: Blue (RAL5015/A)  
 8: GREY (RAL 7004/P)

G: Pb<40000ppm  
 A000: "@" Logo (Standard)  
 A00A: "ANYTEK" Mark  
 Any special item by customer request. please contact sales department.



PCB Layout

N=NUMBER OF CONTACTS

| DIM   | TOL        |         |          |          |       |
|-------|------------|---------|----------|----------|-------|
|       | 2P--6P     | 7P--12P | 13P--18P | 19P--24P |       |
| Dim L | Nx3.5+0.70 | ±0.15   | ±0.20    | ±0.30    | ±0.40 |
| Dim P | (N-1)x3.5  | ±0.15   | ±0.20    | ±0.30    | ±0.40 |

|   |                              |                      |                       |                      |            |             |          |
|---|------------------------------|----------------------|-----------------------|----------------------|------------|-------------|----------|
| <b>ANYTEK</b>   |                              |                      |                       | <b>CUSTOMER COPY</b> |            |             |          |
| ALL RIGHTS RESERVED. REPRODUCTION OR ISSUE TO THIRD PARTIES IN ANY FORM WHATSOEVER IS NOT PERMITTED WITHOUT WRITTEN AUTHORITY FROM THE PROPRIETOR. PROPERTY OF ANYTEK TECHNOLOGY CO., LTD |                              |                      |                       |                      |            |             |          |
| TITLE   | NM 3.5 Series 45° wire inlet |                      |                       |                      |            |             |          |
| PART NO.  | NMxx10x2xxxxG                |                      |                       | DWG NO.              | 8NM0501    |             |          |
| APPROVED  | CHECKED                      | DESIGNED             | DRAWN                 | CUST NO.             | Tolerance  |             |          |
|   |                              | Runner<br>2011.10.27 | Chen Bo<br>2011.03.31 |                      | X. ±0.50   |             |          |
|   |                              |                      |                       |                      | X.X ±0.30  |             |          |
|   |                              |                      |                       |                      | X.XX ±0.10 |             |          |
|   |                              |                      |                       |                      | X° ±1°     |             |          |
|   |                              |                      |                       | SHEET: 01/01         | UNIT: mm   | SCALE: NONE | REV.: A2 |