

SIGN	DATE	DESCRIPTION	APPROVER
△			
△			

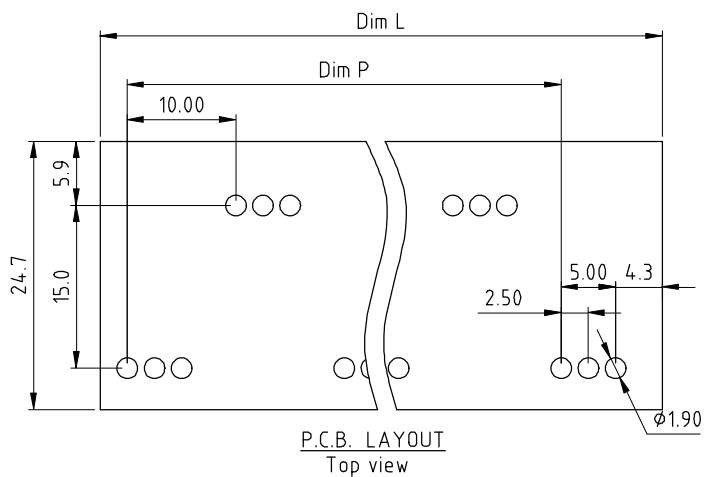
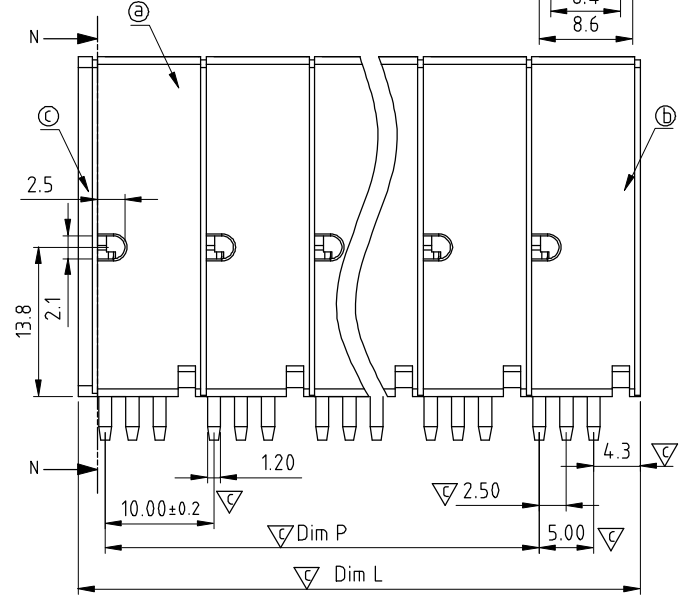
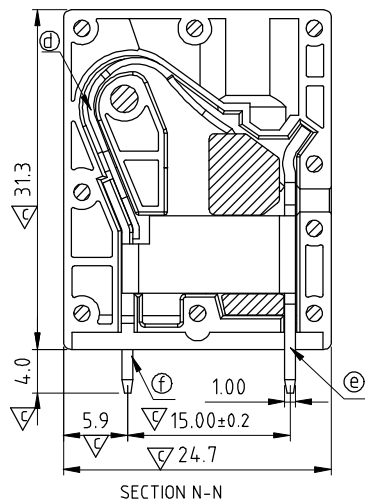
THIS IS CAD DRAWING, DO NOT REVISE MANUALLY!!!

- Material:
- Item ㉑ Terminal body: Thermoplastic (UL94V-0)
  - Item ㉒ Terminal side body: Thermoplastic (UL94V-0)
  - Item ㉓ Terminal cover: Thermoplastic (UL94V-0)
  - Item ㉔ Spring clamp : Stainless steel
  - Item ㉕ Solder pin(front) : Copper, Tin Plated.
  - Item ㉖ Solder pin(back) : Copper, Tin Plated.

- Electrical:
- cULus  
(Use Group B&C)
- Voltage rating: 600 V
  - Current rating: 50 A
  - Solid wire(AWG): 8-20
  - Stranded wire(AWG): 4-20
  - Wire strip length: 18-19mm
  - Withstanding Voltage: 2.2KV
  - Operating temperature: -40°C to +115°C
  - Soldering temperature: 260°C ±5°C/5 Sec
  - Safety Approval:
  - Critical dimension: ▽

NP xx 1 0 x 1 xxxx G

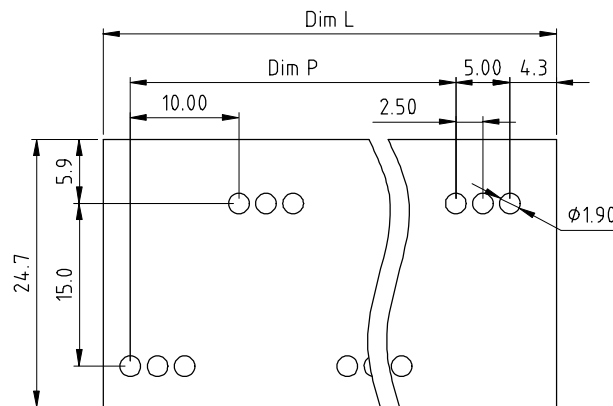
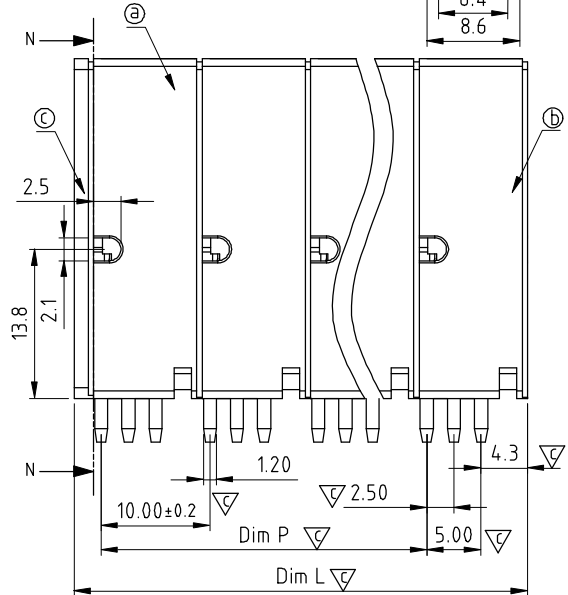
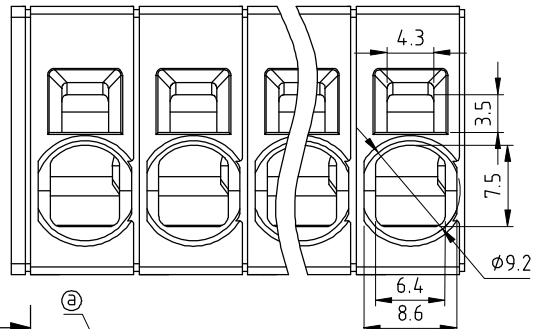
- |              |                     |  |
|--------------|---------------------|--|
| No. OF POLES | Body Color          | RoHS compliant (lead<4%)   |
| 03: 3 POLES  | 0 Black (RAL9005)   | In copper Alloy  |
| 05: 5 POLES  | 2 Red (RAL3001/D)   | 0000: "@" Logo (Standard)  |
| :            | 3 Orange(RAL2011/P) | 000A: "ANYTEK" Mark  |
| 11: 11 POLES | 4 Yellow(RAL1018/A) | Any special item by customer request, please contact sales department. |
|              | 5 Green(RAL6018/T)  |  |
|              | 6 Blue (RAL5015/A)  |  |
|              | 8 Grey(RAL7004/P)   |  |
|              | 9 White(RAL1102)    |  |
|              | C Multiple colors   |  |



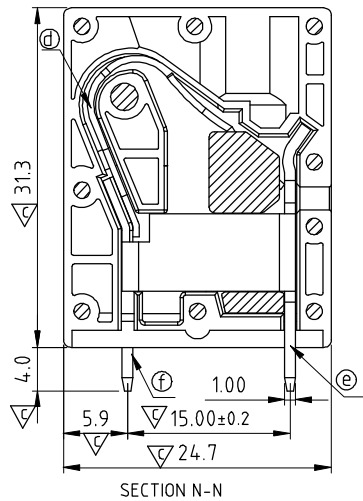
N=NUMBER OF POLES

DIM	Tolerance		
	3P--5P	7P--9P	11P
Dim P (N-1)×10.0	±0.40	±0.50	±0.60
Dim L N×10.0+1.8	±0.40	±0.50	±0.60

<b>ANYTEK</b>				<b>CUSTOMER COPY</b>			
ALL RIGHTS RESERVED. REPRODUCTION OR ISSUE TO THIRD PARTIES IN ANY FORM WHATSOEVER IS NOT PERMITTED WITHOUT WRITTEN AUTHORITY FROM THE PROPRIETOR. PROPERTY OF ANYTEK TECHNOLOGY CO., LTD							
TITLE	NP 10.0mm Series Vertical (B type; Frnot contact link together with end cover) Odd number						
PART NO.	NPxx10x1xxxxG			DWG NO.	8NP0102		
APPROVED	CHECKED	DESIGNED	DRAWN	CUST NO.	Tolerance		
		Airy min 2015.02.01	Airy min 2015.02.01		X. ±0.50		
					UNIT: mm		
					SCALE: NONE		
				SHEET: 01/01	REV.: B		
				X.X ±0.30			
				X.XX ±0.10			
				X° ±1°			



P.C.B. LAYOUT  
Top view



SECTION N-N

N=NUMBER OF POLES

DIM	Tolerance		
	2P--4P	6P--8P	10-12P
Dim P (N-1)x10.0	±0.40	±0.50	±0.60
Dim L Nx10.0+1.8	±0.40	±0.50	±0.60

SIGN	DATE	DESCRIPTION	APPROVER
△			
△			

THIS IS CAD DRAWING, DO NOT REVISE MANUALLY!!!

Material:

- Item ㉓ Terminal body: Thermoplastic (UL94V-0)
- Item ㉔ Terminal side body: Thermoplastic (UL94V-0)
- Item ㉕ Terminal cover: Thermoplastic (UL94V-0)
- Item ㉖ Spring clamp: Stainless steel
- Item ㉗ Solder pin(front): Copper, Tin Plated.
- Item ㉘ Solder pin(back): Copper, Tin Plated.

Electrical:

- cULus (Use Group B&C)
- Voltage rating: 600 V
- Current rating: 50 A
- Solid wire(AWG): 8-20
- Stranded wire(AWG): 4-20
- Wire strip length: 18-19mm
- Withstanding Voltage: 2.2KV
- Operating temperature: -40°C to +115°C
- Soldering temperature: 260°C ±5°C/5 Sec
- Safety Approval:
- Critical dimension:

NP xx 1 0 x 1 xxxx G

No. OF POLES  
02: 2POLES  
04: 4 POLES  
06: 6 POLES  
:  
12: 12 POLES

Body Color  
0 Black (RAL9005)  
2 Red (RAL3001/D)  
3 Orange(RAL2011/P)  
4 Yellow(RAL1018/A)  
5 Green(RAL6018/T)  
6 Blue (RAL5015/A)  
8 Grey(RAL7004/P)  
9 White(RAL1102)  
C Multiple colors

RoHS compliant  
(lead<4%)  
In copper Alloy  
0000: "@ " Logo (Standard)  
000A: "ANYTEK" Mark  
Any special item by  
customer request.  
please contact sales  
department.

# ANYTEK

## CUSTOMER COPY

ALL RIGHTS RESERVED. REPRODUCTION OR ISSUE TO THIRD PARTIES IN ANY FORM WHATSOEVER IS NOT PERMITTED WITHOUT WRITTEN AUTHORITY FROM THE PROPRIETOR. PROPERTY OF ANYTEK TECHNOLOGY CO., LTD

TITLE	NP 10.0mm Series Vertical (B type; Front contact link together with end cover) Even number					
PART NO.	NPxx10x1xxxxG			DWG NO.	8NP0103	
APPROVED	CHECKED	DESIGNED	DRAWN	CUST NO.	Tolerance	
		Airy min 2015.02.01	Airy min 2015.02.01		X. ±0.50 X.X ±0.30 X.XX ±0.10 X° ±1°	
					UNIT: mm	X. ±0.50
					SHEET: 01/01	SCALE: NONE
				REV.: B		X.XX ±0.10
						X° ±1°