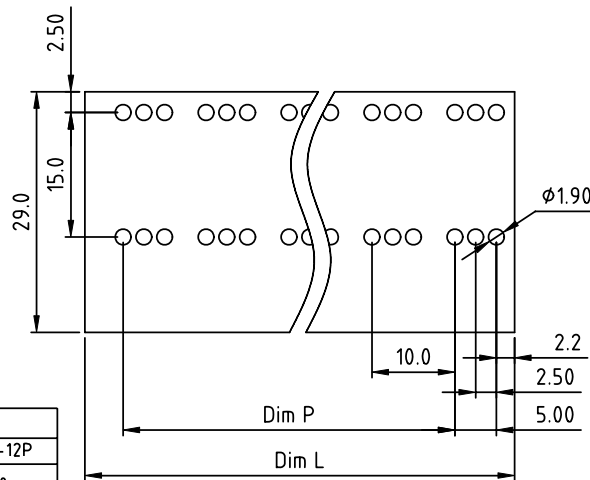
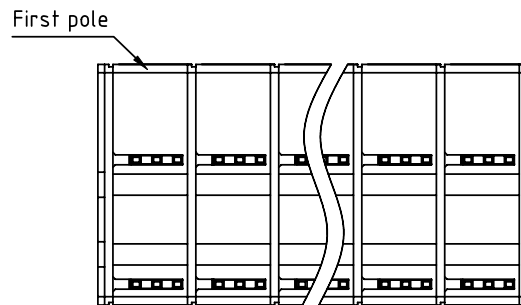
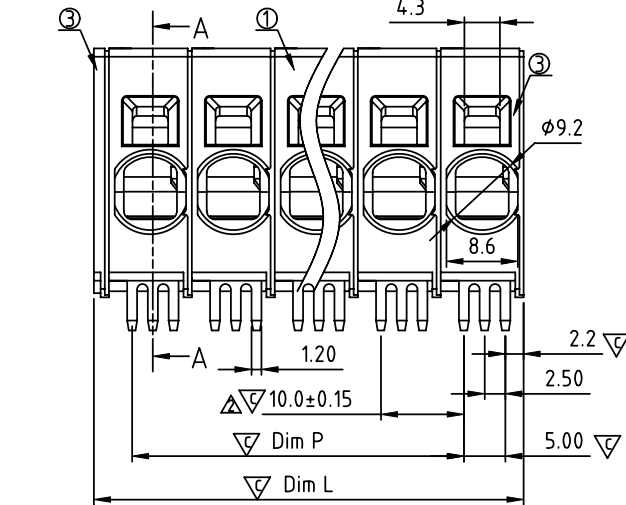


SECTION A-A Δ



PCB LAYOUT
TOP VIEW

N=NUMBER OF POLES

DIM		Tolerance		
		1P--5P	6P--9P	10P--12P
Dim P	(N-1)×10.0	±0.40	±0.50	±0.60
Dim L	N×10.0+1.8	±0.40	±0.50	±0.60

SIGN	DATE	DESCRIPTION	APPROVER
Δ	11/12'12	change the product number	Da cheng
Δ	11/09'13	change the electrical specification /// update the drawing	Da cheng

THIS IS CAD DRAWING, DO NOT REVISE MANUALLY!!!

Material:

- Item ① Terminal body: Thermoplastic (UL94V-0)
- Item ② Terminal side body: Thermoplastic (UL94V-0)
- Item ③ Terminal cover: Thermoplastic (UL94V-0)
- Item ④ Spring clamp: Stainless steel
- Item ⑤ Solder pin: Copper, Tin Plated.

- Δ Electrical: cULus
- Voltage rating: 300 V
 - Current rating(SOL): 30 A
 - Current rating(STR): 40 A
 - Wire range:
 - Solid wire(AWG): 8-20
 - Stranded wire(AWG): 4-20
 - Wire strip length: 18-19mm
 - Withstanding Voltage: 1.6KV
 - Operating temperature: -40°C to +115°C
 - Soldering temperature: 260°C ±5°C/5 Sec
 - Safety Approval:
 - Critical dimension:

NP xx 1 1 x 0 xxxx G		RoHS compliant (lead<4%) In copper Alloy
Δ No. OF POLES	Δ Body Color	0000: "@" Logo (Standard)
01: 1POLES	0 Black (RAL9005)	000A: "ANYTEK" Mark
02: 2 POLES	2 Red (RAL3001/D)	Any special item by customer request.
:	3 Orange(RAL2011/P)	please contact sales department.
12: 12 POLES	4 Yellow(RAL1018/A)	
	5 Green(RAL6018/T)	
	6 Blue (RAL5015/A)	
	8 Grey(RAL7004/P)	
	9 White(RAL1102)	
	C Multiple colors	

ANYTEK

CUSTOMER COPY

ALL RIGHTS RESERVED. REPRODUCTION OR ISSUE TO THIRD PARTIES IN ANY FORM WHATSOEVER IS NOT PERMITTED WITHOUT WRITTEN AUTHORITY FROM THE PROPRIETOR. PROPERTY OF ANYTEK TECHNOLOGY CO., LTD

TITLE		NP 10.0mm Series horizontal (A type 平行脚)		
PART NO.	NPxx11x0xxxxG	DWG NO.	8NP0001	
APPROVED	CHECKED	DESIGNED	DRAWN	CUST NO.
		Da cheng 2013.11.09	Da cheng 2013.11.09	
SHEET: 01/01				Tolerance
				X. ±0.50
				X.X ±0.30
				X.XX ±0.10
				X° ±1°