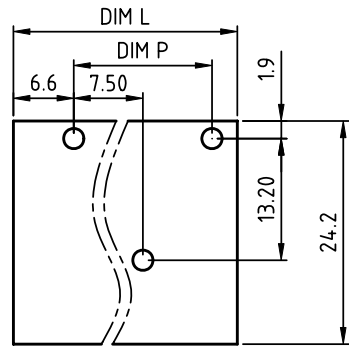
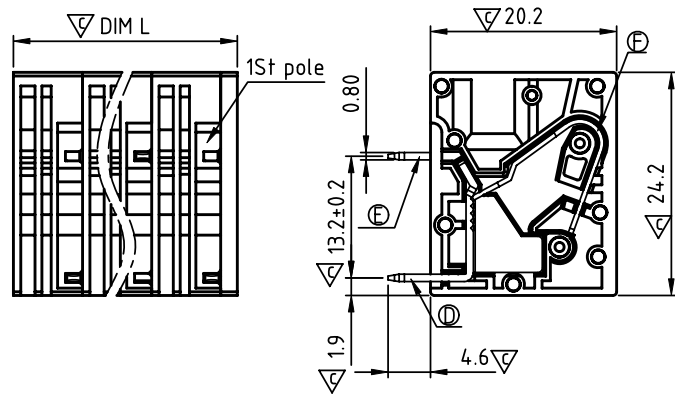
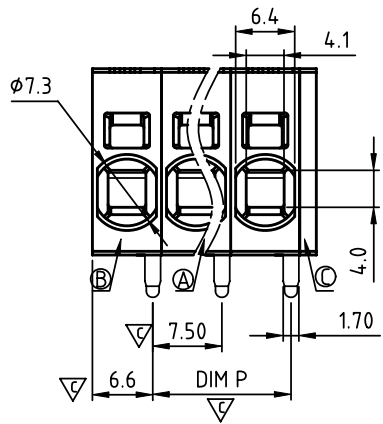


SIGN	DATE	DESCRIPTION	APPROVER
△			
△			

THIS IS CAD DRAWING, DO NOT REVISE MANUALLY!!!



- Material:**
- Item A Terminal body: Thermoplastic (UL94V-0)
 - Item B Terminal side body: Thermoplastic (UL94V-0)
 - Item C Terminal cover: Thermoplastic (UL94V-0)
 - Item D Contact pin : Copper, Tin Plated.
 - Item E Contact pin: Copper, Tin Plated.
 - Item F Spring clamp : Stainless steel
- Electrical:** cULus
- Voltage rating: 300 V
 - Current rating(Sol): 30 A
 - Current rating(Str): 35 A
 - Solid wire(AWG): 10-24
 - Stranded wire(AWG): 8-24
 - Wire strip length: 15-16 mm
 - Withstanding Voltage: 1.6KV
 - Operating temperature: -40°C to +120°C
 - Soldering temperature: 260°C±5°C/5 Sec
 - Safety Approval:
 - Critical dimension:

NK xx A 1 x 2 xxxx G

End Stackable: 02: 2 POLES, 03: 3 POLES, 16: 16 POLES

Body Color: 0 Black (RAL9005), 2 Red (RAL3001/D), 3 Orange(RAL2011/P), 4 Yellow(RAL1018/A), 5 Green(RAL6018/T), 6 Blue (RAL5015/A), 8 Grey(RAL7004/P), 9 White(RAL1102), C Multiple colors

RoHS compliant (lead<4%)
In copper Alloy

0000: "@ Logo (Standard)
000A: "ANYTEK" Mark
Any special item by customer request.
please contact sales department.

N=NUMBER OF CONTACTS

DIM	TOL			
	2P--6P	7P--12P	13P--16P	
Dim P	(N-1)×7.5	±0.15	±0.25	±0.35
Dim L	N×7.5+1.8	±0.15	±0.25	±0.35

P.C.B Layout
Top view

ANYTEK				CUSTOMER COPY			
ALL RIGHTS RESERVED. REPRODUCTION OR ISSUE TO THRD PARTIES IN ANY FORM WHATSOEVER IS NOT PERMITTED WITHOUT WRITTEN AUTHORITY FROM THE PROPRIETOR. PROPERTY OF ANYTEK TECHNOLOGY CO., LTD							
TITLE	NK 7.5mm Series Right angle (Single tail C type)(第1P为后脚子线连接器)						
PART NO.	NKxxA1x2xxxxG			DWG NO.	8NK0006		
APPROVED	CHECKED	DESIGNED	DRAWN	CUST NO.	Tolerance		
		Da cheng	Da cheng		UNIT: mm	X.	±0.50
		2013.09.25	2013.09.25		SCALE: NONE	X.X	±0.30
				SHEET: 01/01	REV.: B	X.XX	±0.10
						X°	±1°