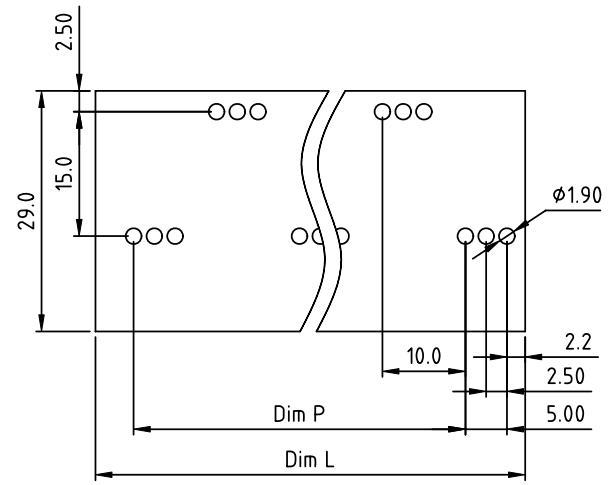
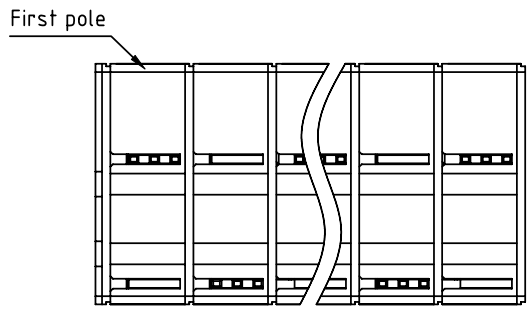
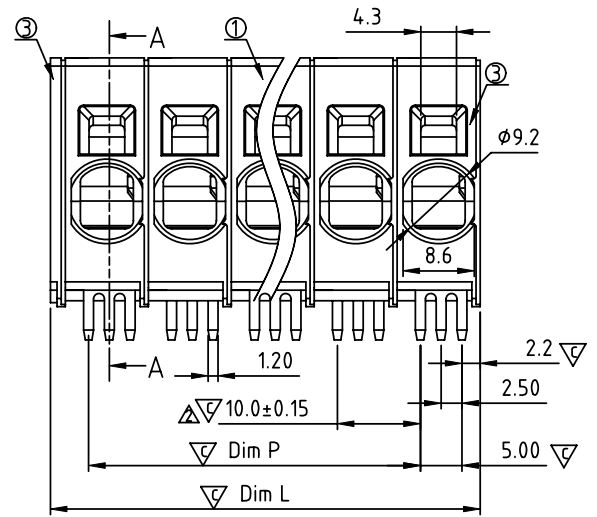


SECTION A-A



PCB LAYOUT TOP VIEW

N=NUMBER OF POLES

| DIM | Tolerance | | | |
|-------|------------|--------|-------|-------|
| | 1P--5P | 7P--9P | 11P | |
| Dim P | (N-1)×10.0 | ±0.40 | ±0.50 | ±0.60 |
| Dim L | N×10.0+1.8 | ±0.40 | ±0.50 | ±0.60 |

| SIGN | DATE | DESCRIPTION | APPROVER |
|------|----------|--|----------|
| △ | 11/12'12 | change the product number | Da cheng |
| △ | 11/09'13 | change the electrical specification /// update the drawing | Da cheng |
| △ | 12/28'13 | update the drawing | Da cheng |

THIS IS CAD DRAWING, DO NOT REVISE MANUALLY!!!

Material:

- Item ① Terminal body: Thermoplastic (UL94V-0)
- Item ② Terminal side body: Thermoplastic (UL94V-0)
- Item ③ Terminal cover: Thermoplastic (UL94V-0)
- Item ④ Solder pin(front) : Copper, Tin Plated.
- Item ⑤ Solder pin(back) : Copper, Tin Plated.
- Item ⑥ Spring clamp : Stainless steel

- △ Electrical: cULus
- Voltage rating: 600 V
- Current rating(SOL): 30 A
- Current rating(STR): 40 A
- Wire range:
- Solid wire(AWG): 8-20
- Stranded wire(AWG): 4-20
- Wire strip length: 18-19mm
- Withstanding Voltage: 2.2KV
- Operating temperature: -40°C to +115°C
- Soldering temperature: 260°C ±5°C/5 Sec
- Safety Approval:
- Critical dimension:

△NP xx 1 1 x 1 xxxx G

- △△ No. OF POLES
- 01: 1POLES
- 03: 3 POLES
- ...
- 11: 11 POLES

- △ Body Color
- 0 Black (RAL9005)
- 2 Red (RAL3001/D)
- 3 Orange(RAL2011/P)
- 4 Yellow(RAL1018/A)
- 5 Green(RAL6018/T)
- 6 Blue (RAL5015/A)
- 8 Grey(RAL7004/P)
- 9 White(RAL1102)
- C Multiple colors

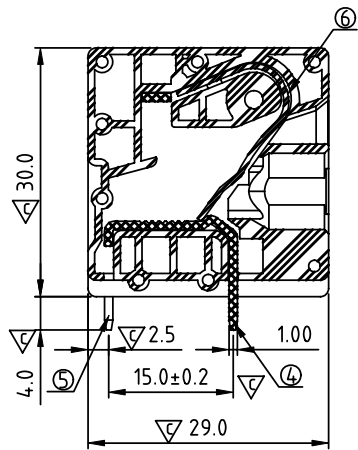
(lead<4%)
In copper Alloy
0000: "@ " Logo (Standard)
000A: "ANYTEK" Mark
Any special item by customer request.
please contact sales department.

ANYTEK

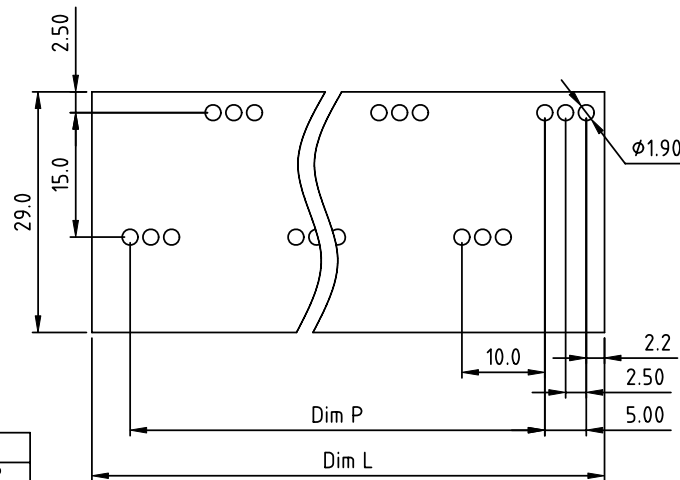
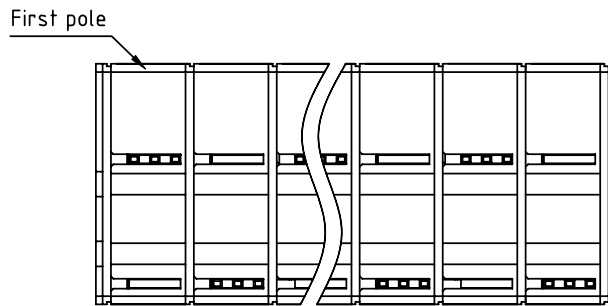
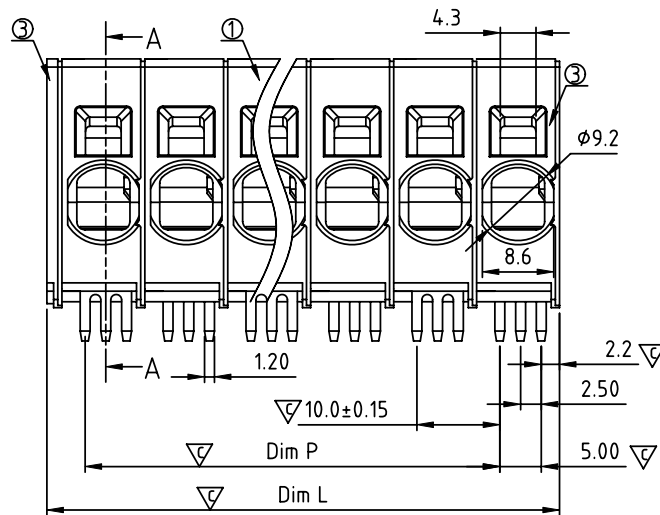
CUSTOMER COPY

ALL RIGHTS RESERVED. REPRODUCTION OR ISSUE TO THRD PARTIES IN ANY FORM WHATEVER IS NOT PERMITTED WITHOUT WRITTEN AUTHORITY FROM THE PROPRIETOR. PROPERTY OF ANYTEK TECHNOLOGY CO., LTD

| | | | | | | |
|----------|--|------------------------|------------------------|--------------|---------|------------|
| TITLE | NP 10.0mm Series horizontal (B type 前脚有通孔) 單數P | | | DWG NO. | 8NP0003 | |
| PART NO. | NPxx11x1xxxxG △ | | | CUST NO. | | |
| APPROVED | CHECKED | DESIGNED | DRAWN | Tolerance | | |
| | | Da cheng 2013.12.28 | Da cheng 2013.12.28 | X. ±0.50 | | |
| | | | | UNIT: mm | | X.X ±0.30 |
| | | | | SCALE: NONE | | X.XX ±0.10 |
| | | | | REV.: D | | X° ±1° |
| | | | | SHEET: 01/01 | | |



SECTION A-A



PCB LAYOUT
TOP VIEW

N=NUMBER OF POLES

| DIM | Tolerance | | | |
|-------|------------|--------|---------|-------|
| | 2P--4P | 6P--8P | 10P-12P | |
| Dim P | (N-1)×10.0 | ±0.40 | ±0.50 | ±0.60 |
| Dim L | N×10.0+1.8 | ±0.40 | ±0.50 | ±0.60 |

| SIGN | DATE | DESCRIPTION | APPROVER |
|------|------|-------------|----------|
| △ | | | |
| △ | | | |
| △ | | | |

THIS IS CAD DRAWING, DO NOT REVISE MANUALLY!!!

Material:

- Item ① Terminal body: Thermoplastic (UL94V-0)
- Item ② Terminal side body: Thermoplastic (UL94V-0)
- Item ③ Terminal cover: Thermoplastic (UL94V-0)
- Item ④ Solder pin(front) : Copper, Tin Plated.
- Item ⑤ Solder pin(back) : Copper, Tin Plated.
- Item ⑥ Spring clamp : Stainless steel

Electrical:

- Voltage rating: 600 V
- Current rating(SOL): 30 A
- Current rating(STR): 40 A
- Wire range:
- Solid wire(AWG): 8-20
- Stranded wire(AWG): 4-20
- Wire strip length: 18-19mm
- Withstanding Voltage: 2.2KV
- Operating temperature: -40°C to +115°C
- Soldering temperature: 260°C ±5°C/5 Sec
- Safety Approval:
- Critical dimension:

NP xx 1 1 x 1 xxxx G

No. OF POLES
02: 2 POLES
04: 4 POLES
:
12: 12 POLES

Body Color
0 Black (RAL9005)
2 Red (RAL3001/D)
3 Orange(RAL2011/P)
4 Yellow(RAL1018/A)
5 Green(RAL6018/T)
6 Blue (RAL5015/A)
8 Grey(RAL7004/P)
9 White(RAL1102)
C Multiple colors

(lead<4%)
In copper Alloy
0000: "@ " Logo (Standard)
000A: "ANYTEK" Mark
Any special item by
customer request.
please contact sales
department.

ANYTEK

CUSTOMER COPY

ALL RIGHTS RESERVED. REPRODUCTION OR ISSUE TO THRD PARTIES IN ANY FORM WHATEVER IS NOT PERMITTED WITHOUT WRITTEN AUTHORITY FROM THE PROPRIETOR. PROPERTY OF ANYTEK TECHNOLOGY CO., LTD

| TITLE | NP 10.0mm Series horizontal (B type 前部有端子) 雙數P | | | DWG NO. | 8NP0006 | |
|----------|--|------------------------|------------------------|--------------|-------------|------------|
| PART NO. | NPxx11x1xxxxG | | | CUST NO. | | |
| APPROVED | CHECKED | DESIGNED | DRAWN | Tolerance | | |
| | | Da cheng 2013.12.28 | Da cheng 2013.12.28 | | UNIT: mm | X. ±0.50 |
| | | | | | SCALE: NONE | X.X ±0.30 |
| | | | | SHEET: 01/01 | REV.: B | X.XX ±0.10 |
| | | | | | | X° ±1° |