

SIGN	DATE	DESCRIPTION	APPROVER
△	05/10'12	The dimension is changed	Runner
△	10/10'13	Add is cULus // update the drawing	Da cheng

THIS IS CAD DRAWING, DO NOT REVISE MANUALLY!!!

Material:

- Item ① Terminal body: Thermoplastic (UL94V-0)
- Item ② Terminal side body: Thermoplastic (UL94V-0)
- Item ③ Terminal lever: Thermoplastic (UL94V-0) Orange RAL2011/P
- Item ④ Female long contact : Brass. Tin Plated.
- Item ⑤ Female short contact : Brass. Tin Plated.
- Item ⑥ Spring clamp : Stainless steel
- Item ⑦ Terminal cover: Thermoplastic (UL94V-0)

Electrical:

- Voltage rating: 300 V
- Current rating: 10A
- Wire range:
- Solid wire(AWG): 16-26
- Stranded wire(AWG): 16-26
- Wire strip length: 8-9 mm
- Withstanding Voltage: 1.6 KV
- Operating temperature: -40°C to +115°C
- Soldering temperature: 260°C ±5°C/5 Sec

● Safety Approval: cULus

● Critical dimension:

NI xx 3 0 x 0 xxxx G

No. OF POLES

△ 01: 1 POLES

⋮

24: 24 POLES

△ Body Color

- 0 Black (RAL9005)
- 2 Red (RAL3001/D)
- 3 Orange(RAL2011/P)
- 4 Yellow(RAL1018/A)
- 5 Green(RAL6018/T)
- 6 Blue (RAL5015/A)
- 8 Grey(RAL7004/P)
- 9 White(RAL1102)
- C Multiple colors

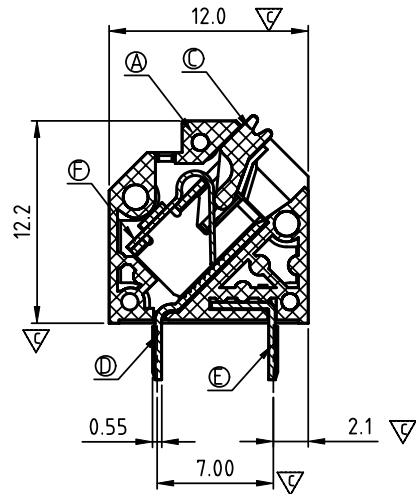
RoHS compliant

(lead<4%)
In copper Alloy

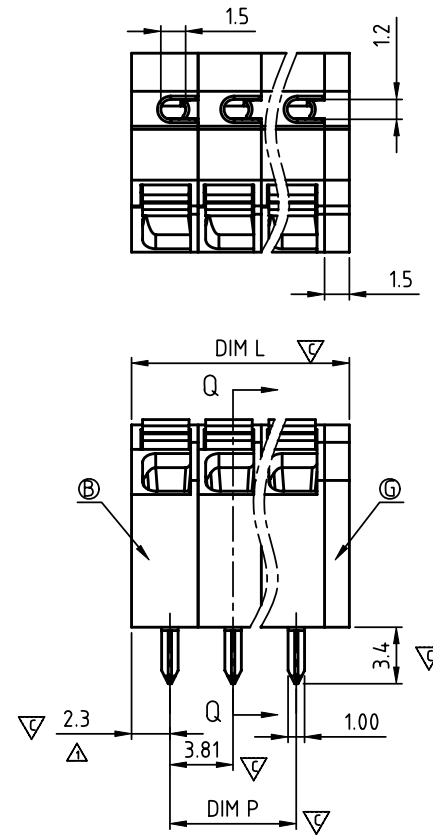
0000: "@ " Logo (Standard)

000A: "ANYTEK" Mark

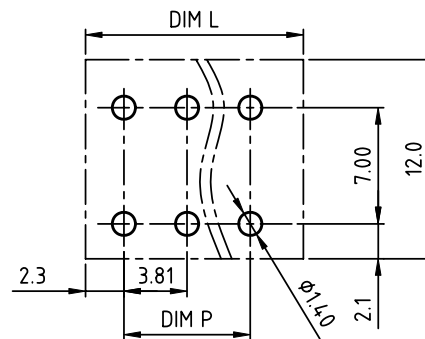
Any special item by
customer request.
please contact sales
department.



SECTION Q-Q



△ P.C.B Layout
Top view



N = Number of poles

△ Dim L=(N×3.81)+1.7

Dim P=(N-1)×3.81

	Dim L	Dim P
△ 1p	±0.10	
2-6p	±0.10	
7-12p	±0.20	
13-18p	±0.30	
19-24p	±0.40	

ANYTEK

CUSTOMER COPY

ALL RIGHTS RESERVED. REPRODUCTION OR ISSUE TO THRD PARTIES IN ANY FORM WHATEVER IS NOT PERMITTED WITHOUT WRITTEN AUTHORITY FROM THE PROPRIETOR. PROPERTY OF ANYTEK TECHNOLOGY CO., LTD

TITLE		NI 3.81mm Series		
PART NO.	NIxx30x0xxxxG	DWG NO.	8NI0001	
APPROVED	CHECKED	DESIGNED	DRAWN	CUST NO.
		Da cheng 2013.10.10	Da cheng 2013.10.10	
SHEET: 01/01		UNIT: mm		Tolerance
		SCALE: NONE		X. ±0.50
		REV.: C		X.X ±0.30
				X.XX ±0.10
				X° ±1°