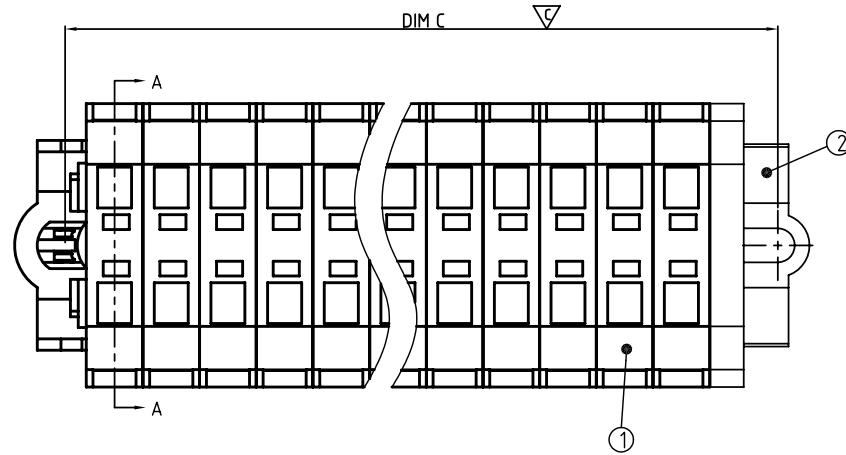


SIGN	DATE	DESCRIPTION	APPROVER
△	03/18`11	Structure is changed	Runner
△	07/02`12	Rated current is changed from 15A to 10A	Runner
△	07/02`12	Add "cULus" Safety Approval logo	Runner

**THIS IS CAD DRAWING, DO NOT REVISE MANUALLY!!!**

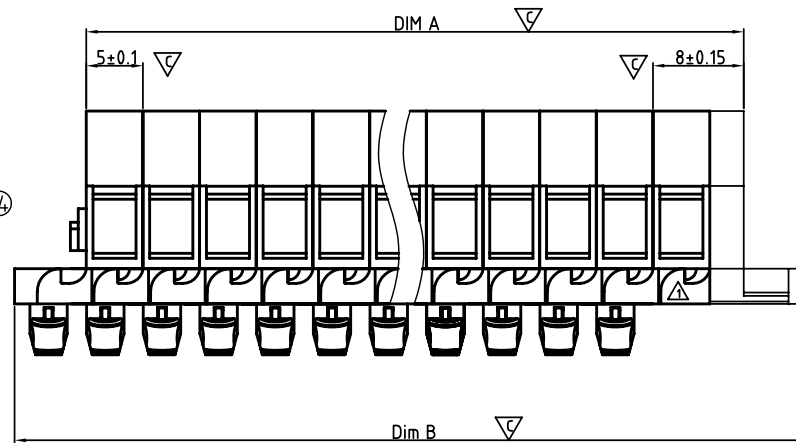
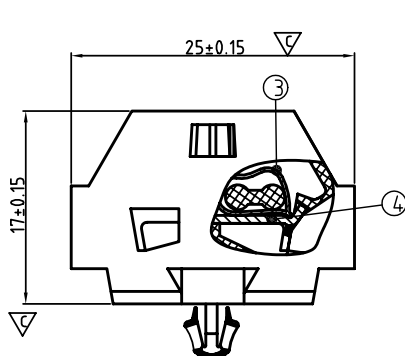


**Material**

- Item 1 Insulating body Thermoplastic ( UL94V-0 )
- Item 2 Insulating cover Thermoplastic ( UL94V-0 )
- Item 3 Wire guard Stainless Steel
- Item 4 Contacts PIN Brass Tin plated

**Electrical**

- |                         | cULus    | IEC                     |
|-------------------------|----------|-------------------------|
| ● Rated voltage:        | 300V     | 400V                    |
| ● Rated current:        | 10A      | 18A                     |
| ● Wire range:           |          |                         |
| ● Solid wire:           | 28-16AWG | 0.08-1.5mm <sup>2</sup> |
| ● Stranded wire:        | 28-16AWG | 0.08-1.5mm <sup>2</sup> |
| ● Wire strip length:    | 8-9mm    |                         |
| ● withstanding voltage: | 1.6kv    | 6kv                     |
| ● Safety Approval:      |          |                         |
| ● Critical dimension:   |          |                         |



Part No:

**DS 240 xx 1 x xxx G**

- 02 2 poles
- 03 3 poles
- ...
- 24 24 poles

- Color
- 0 Black
  - 5 Gree(RAL6018/T)
  - 6 Blue
  - 8 Grey(RAL7004/P)

RoHS compliant  
(lead<4%)  
In copper Alloy

0000:"@Logo (Standard)  
000A:"ANYTEK"Logo  
Any special item by  
customer request,  
please contact sales  
department.

**Dimension**

DIM A	N×5.0+3.0
DIM B	N×5.0+15.1
DIM C	N×5.0+7.9

N=Number of poles

Poles	Tolerance
1P-6P	±0.20
5P-10P	±0.30
11P-15P	±0.40
15P-20P	±0.50
20P-24P	±0.60

**ANYTEK**

**CUSTOMER COPY**

ALL RIGHTS RESERVED. REPRODUCTION OR ISSUE TO THIRD PARTIES IN ANY FORM WHATSOEVER IS NOT PERMITTED WITHOUT WRITTEN AUTHORITY FROM THE PROPRIETOR. PROPERTY OF ANYTEK TECHNOLOGY CO., LTD

TITLE		DS 240 Series With Snap-IN Mounting Feet (With Cover)				
PART NO.	DS240xx1x000G	DWG NO.	8DS240-0002			
APPROVED	CHECKED	DESIGNED	DRAWN	CUST NO.	Tolerance	
		Runner	Tason		X. ±0.5	
		2012.07.03	08/16`07	UNIT: mm	X.X ±0.3	
				SCALE: NONE	X.XX ±0.1	
				SHEET: 01/01	X° ±1°	
				REV.: C		