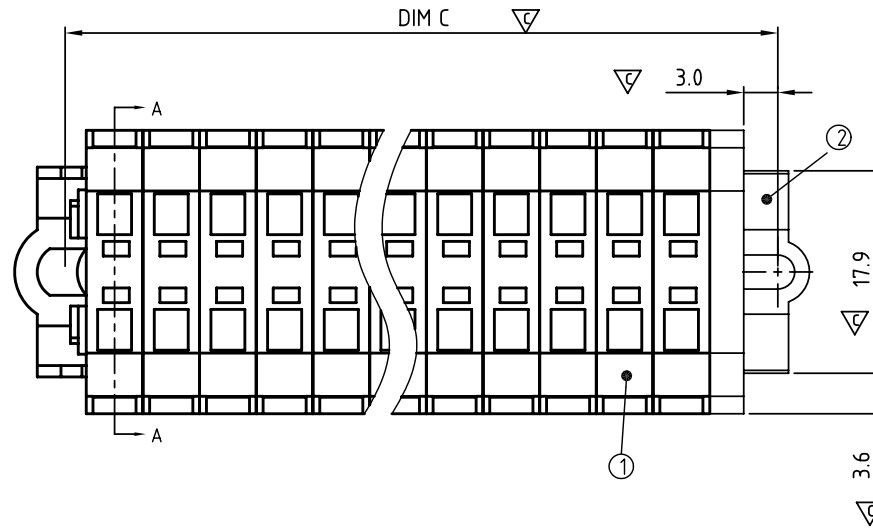


SIGN	DATE	DESCRIPTION	APPROVER
△	03/18`11	Structure is changed	Runner
△	07/02`12	Rated current is changed from 15A to 10A	Runner
△	07/02`12	Add "cULus" Safety Approval logo	Runner

THIS IS CAD DRAWING, DO NOT REVISE MANUALLY!!!



Material

- Item 1 Insulating body Thermoplastic (UL94V-0)
- Item 2 Insulating cover Thermoplastic (UL94V-0)
- Item 3 Wire guard Stainless Steel
- Item 4 Contacts PIN Brass Tin plated

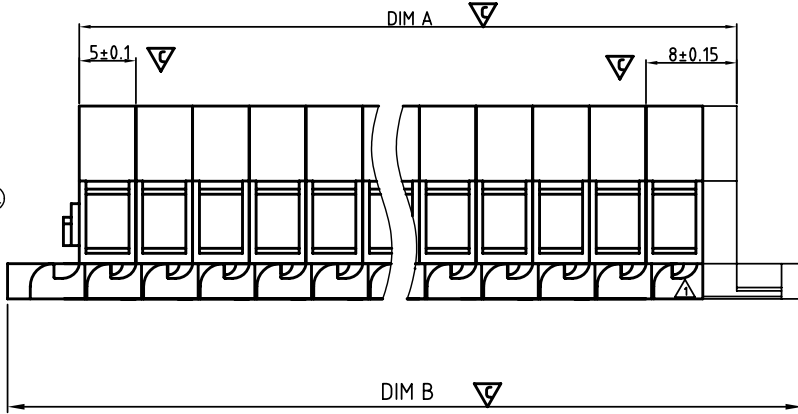
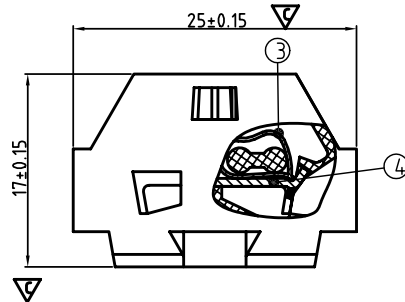
Electrical

- | | | |
|-------------------------|----------|------------------------|
| | cULus | IEC |
| ● Rated voltage: | 300V | 400V |
| ● Rated current: | 10A | 18A |
| ● Wire range: | | |
| ● Solid wire: | 28-16AWG | 0.8-1.5mm ² |
| ● Stranded wire: | 28-16AWG | 0.8-1.5mm ² |
| ● Wire strip length: | 8-9mm | |
| ● withstanding voltage: | 1.6kv | 6kv |
| ● Safety Approval: | | |
| ● Critical dimension: | | |

Part No:

DS 240 xx 0 x xxx G

- 01 1 poles
 - 02 2 poles
 - 03 3 poles
 -
 - 24 24 poles
- Color
- 0 Black
 - 5 Gree(RAL6018/T)
 - 6 Blue
 - 8 Grey(RAL7004/P)
- RoHS compliant (lead<4%)
In copper Alloy
- 0000:"@"Logo (Standard)
000A:"ANYTEK"Logo
Any special item by customer request, please contact sales department.



Dimension

DIM A	N×5.0+3.0
DIM B	N×5.0+15.1
DIM C	N×5.0+7.9

N=Number of poles

Poles	Tolerance
1P-5P	±0.20
6P-10P	±0.30
11P-15P	±0.40
16P-20P	±0.50
21P-24P	±0.60

ANYTEK

CUSTOMER COPY

ALL RIGHTS RESERVED. REPRODUCTION OR ISSUE TO THIRD PARTIES IN ANY FORM WHATSOEVER IS NOT PERMITTED WITHOUT WRITTEN AUTHORITY FROM THE PROPRIETOR. PROPERTY OF ANYTEK TECHNOLOGY CO., LTD

TITLE		DS 240 Series (With Cover)		
PART NO.		DS240xx0xxxxG	DWG NO.	8DS240-0001
APPROVED	CHECKED	DESIGNED	DRAWN	CUST NO.
		Runner 2012.07.03	Tason 2011.11.08	
				Tolerance
				X. ±0.5
				X.X ±0.3
				X.XX ±0.1
				X° ±1°
SHEET: 01/01				UNIT: mm
				SCALE: NONE
				REV.: C