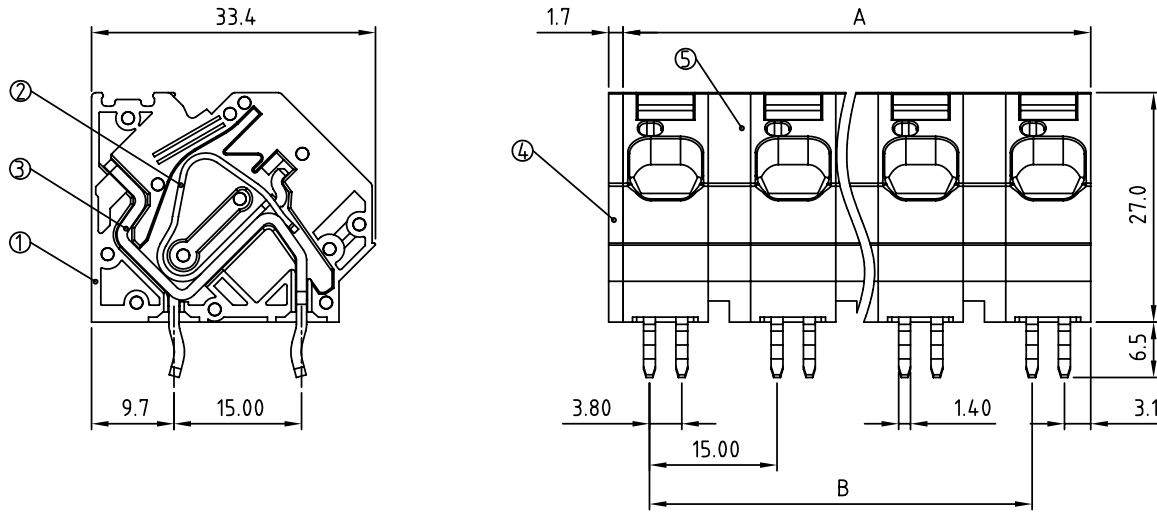


SIGN	DATE	DESCRIPTION	APPROVER
△			
THIS IS CAD DRAWING, DO NOT REVISE MANUALLY!!!			

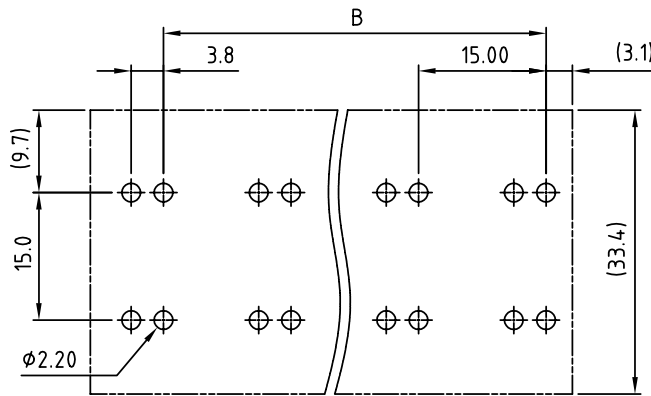


Material:

- Item ① Insulator(housing): Thermoplastic (UL94V-0)
- Item ② Wire guard: Stainless steel
- Item ③ Terminal Body(contact pin): Copper.Tin platd
- Item ④ Insulator(Cover): Thermoplastic (UL94V-0)
- Item ⑤ Pad board: Thermoplastic (UL94V-0)

Electrical:

- | | | |
|--------------------------|------------------------|-------|
| | cULus | IEC |
| ● Voltage rating: | 600V | 1000V |
| ● Current rating: | 37A | 76A |
| ● Wire range: | 0.2-16 mm ² | |
| ● Solid wire(AWG): | 6-24 | |
| ● Stranded wire(AWG): | 6-24 | |
| ● Wire strip length: | 12-13mm | |
| ● Withstanding Voltage: | 2.2KV | 8KV |
| ● Operating temperature: | -40°C to +115°C | |
| ● Soldering temperature: | 250°C±10°C/5 Sec | |
| ● Safety Approval: | | |



PCB Layout

H8 xx 1 0 x 0 xxxx G

No. OF POLES
02: 2 POLES
:
08: 8POLES

COLOR
0: BLACK
5: GREEN
6: BLUE
8: GREY

G: Pb<40000ppm
0000: "@" Logo (Standard)
000A: "ANYTEK" Mark
Any special item by customer request.
please contact sales department.

POLE	2	3	4	5	6	7	8
A	25.00	40.00	55.00	70.00	85.00	100.00	115.00
B	15.00	30.00	45.00	60.00	75.00	90.00	105.00
Tol.	±0.15			±0.25			
POLE	9	10	11	12	13	14	15
A	130.00	145.00	160.00	175.00	190.00	205.00	220.00
B	120.00	135.00	150.00	165.00	180.00	195.00	210.00
Tol.	±0.35			±0.50			

ANYTEK

CUSTOMER COPY

ALL RIGHTS RESERVED. REPRODUCTION OR ISSUE TO THIRD PARTIES IN ANY FORM WHATSOEVER IS NOT PERMITTED WITHOUT WRITTEN AUTHORITY FROM THE PROPRIETOR. PROPERTY OF ANYTEK TECHNOLOGY CO., LTD

TITLE	H8 15.0mm Series						
PART NO.	H8xx10x0xxxxG			DWG NO.	8H80002		
APPROVED	CHECKED	DESIGNED	DRAWN	CUST NO.	Tolerance		
		Runner 2010.10.15	Tony 2007.06.21		UNIT: mm	X.	±0.50
				SHEET: 01/01	SCALE: NONE	X.X	±0.30
					REV.: B	X.XX	±0.10
						X°	±1°