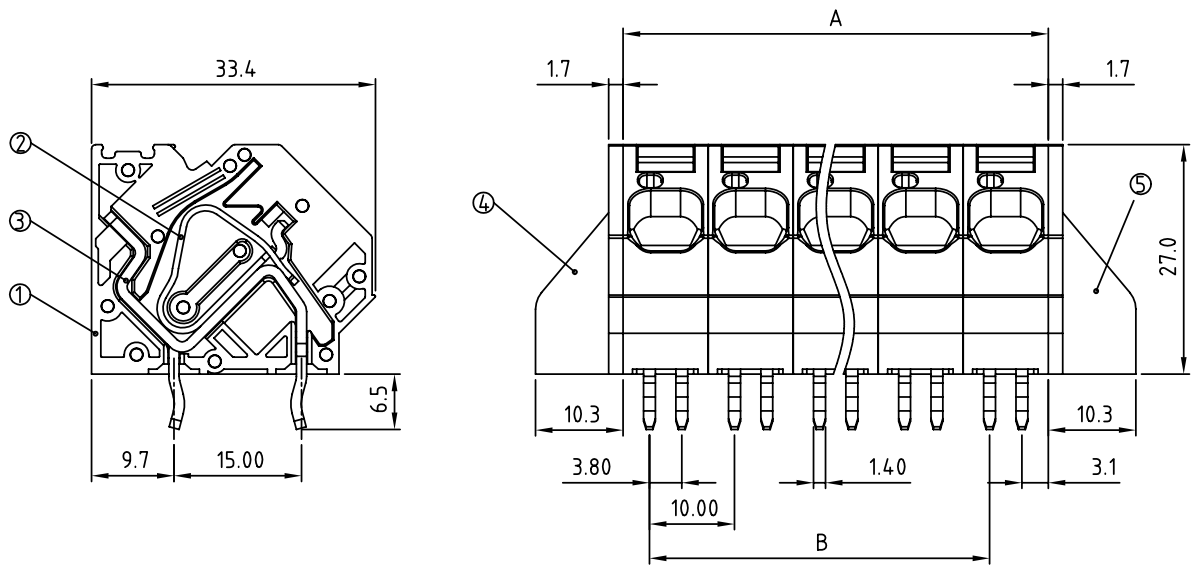
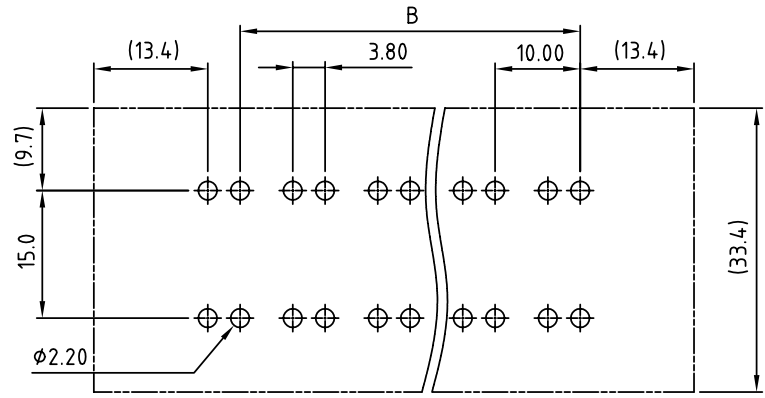


SIGN	DATE	DESCRIPTION	APPROVER
△			
THIS IS CAD DRAWING, DO NOT REVISE MANUALLY!!!			



- Material:
- Item ① Insulator(housing): Thermoplastic (UL94V-0)
 - Item ② Wire guard: Stainless steel
 - Item ③ Terminal Body(contact pin): Copper.Tin platd
 - Item ④ With flange left cover: Thermoplastic (UL94V-0)
 - Item ⑤ With flange right cover: Thermoplastic (UL94V-0)

- Electrical:
- | | | |
|--------------------------|------------------------|------|
| | cULus | IEC |
| ● Voltage rating: | 300V | 250V |
| ● Current rating: | 37A | 76A |
| ● Wire range: | 0.2-16 mm ² | |
| ● Solid wire(AWG): | 6-24 | |
| ● Stranded wire(AWG): | 6-24 | |
| ● Wire strip length: | 12-13mm | |
| ● Withstanding Voltage: | 1.6KV | 4KV |
| ● Operating temperature: | -40°C to +115°C | |
| ● Soldering temperature: | 250°C±10°C/5 Sec | |
| ● Safety Approval: | cULus | |



PCB Layout

H8 xx 0 0 x 1 xxxx G

No. OF POLES ————
 02: 2 POLES
 :
 :
 12: 12 POLES

COLOR ————
 0: BLACK
 5: GREEN
 6: BLUE
 8: GREY

————— G: Pb<40000ppm
 ———— 0000: "@" Logo (Standard)
 ———— 000A: "ANYTEK" Mark
 Any special item by customer request.
 please contact sales department.

POLE	2	3	4	5	6	7	8	9	10	11	12	
A	20.00	30.00	40.00	50.00	60.00	70.00	80.00	90.00	100.00	110.00	120.00	
B	10.00	20.00	30.00	40.00	50.00	60.00	70.00	80.00	90.00	100.00	110.00	
Tol.	±0.15					±0.25						
POLE	13	14	15	16	17	18	19	20	21	22	23	24
A	130.00	140.00	150.00	160.00	170.00	180.00	190.00	200.00	210.00	220.00	230.00	240.00
B	120.00	130.00	140.00	150.00	160.00	170.00	180.00	190.00	200.00	210.00	220.00	230.00
Tol.	±0.35						±0.50					

ANYTEK				CUSTOMER COPY			
ALL RIGHTS RESERVED. REPRODUCTION OR ISSUE TO THIRD PARTIES IN ANY FORM WHATSOEVER IS NOT PERMITTED WITHOUT WRITTEN AUTHORITY FROM THE PROPRIETOR. PROPERTY OF ANYTEK TECHNOLOGY CO., LTD							
TITLE	H8 10.0mm W/flang Series						
PART NO.	H8xx00x1xxxxG			DWG NO.	8H80004		
APPROVED	CHECKED	DESIGNED	DRAWN	CUST NO.	Tolerance		
		Runner	Tony		UNIT: mm	X.	±0.50
		2010.10.15	2007.06.21		SCALE: NONE	X.X	±0.30
				SHEET: 01/01	REV.: B	X.XX	±0.10
						X°	±1°