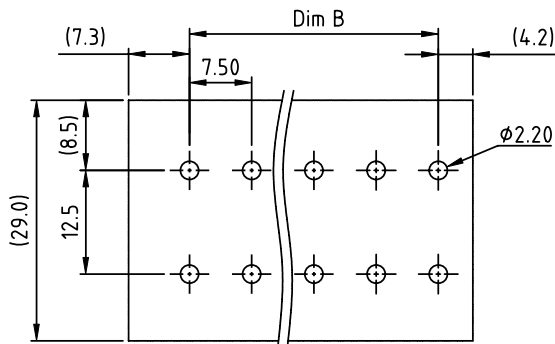
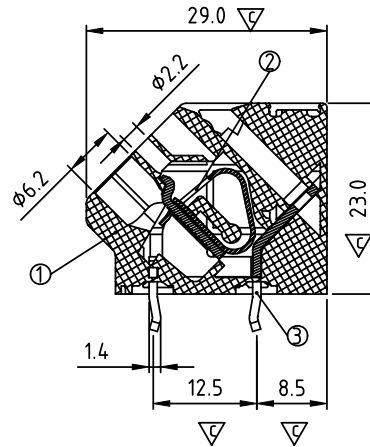
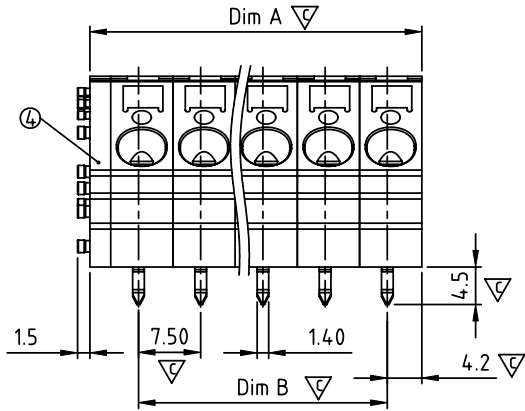
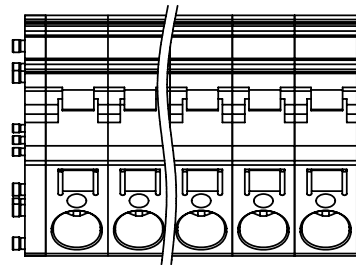


SIGN	DATE	DESCRIPTION	APPROVER
△	01/22'13	update the drawing	Da cheng
THIS IS CAD DRAWING, DO NOT REVISE MANUALLY!!!			



△ P.C.B. LAYOUT
△ Top view

POLE	1	2	3	4	5	6	7	8
Dim A	10.00	17.50	25.00	32.50	40.00	47.50	55.00	62.50
Dim B		7.50	15.00	22.50	30.00	37.50	45.00	52.50
Tol.	±0.15				±0.25			
POLE	9	10	11	12	13	14	15	16
Dim A	70.00	77.50	85.00	92.50	100.00	107.50	115.00	122.50
Dim B	60.00	67.50	75.00	82.50	90.00	97.50	105.00	112.50
Tol.	±0.35				±0.50			

△ Material:

- Item ① Insulator(housing): Thermoplastic (UL94V-0)
- Item ② Spring clamp: Stainless steel
- Item ③ Terminal Body(contact pin): Brass, Tin plated
- Item ④ Insulator(Cover): Thermoplastic (UL94V-0)

Electrical: cULus

- Voltage rating: 300V
- Current rating: 10A
- Wire range:
- Solid wire(AWG): 10-24
- Stranded wire(AWG): 10-24
- Wire strip length: 11-12mm
- Withstanding Voltage: 1.6KV
- Operating temperature: -40°C to +115°C

△ ● Soldering temperature: 260°C±5°C/5 Sec

● Safety Approval:

△ ● Critical dimension:

H2 xx 00 x 0 xxxx G RoHS compliant (lead<4%) △
In copper Alloy

0000: "@" Logo (Standard)
000A: "ANYTEK" Mark

Any special item by customer request, please contact sales department.

△ No. OF POLES
01: 1 POLES
02: 2 POLES
:
16: 16 POLES

△ COLOR
0: BLACK
2: Red (RAL3001/D)
5: GREEN (RAL 6018/T)
8: GREY (RAL 7004/P)
C: Multiple colors

ANYTEK

CUSTOMER COPY

ALL RIGHTS RESERVED. REPRODUCTION OR ISSUE TO THRD PARTIES IN ANY FORM WHATEVER IS NOT PERMITTED WITHOUT WRITTEN AUTHORITY FROM THE PROPRIETOR. PROPERTY OF ANYTEK TECHNOLOGY CO., LTD

TITLE	H2 7.5 Series						
PART NO.	H2xx00x0xxxxG			DWG NO.	8H20001		
APPROVED	CHECKED	DESIGNED	DRAWN	CUST NO.		Tolerance	
		Da cheng 2013.01.22	Da cheng 2013.01.22	 UNIT: mm SCALE: NONE REV.: C		X. ±0.50	
						X.X ±0.30	
				SHEET: 01/01		X.XX ±0.10	
						X* ±1*	