


SIGN	DATE	DESCRIPTION	APPROVER
△			
THIS IS CAD DRAWING, DO NOT REVISE MANUALLY!!!			

- Material:
- Item ① Insulator(housing): Thermoplastic (UL94V-0)
 - Item ② Spring clamp: Stainless steel
 - Item ③ Terminal Body(contact pin): Brass.
 - Item ④ Insulator(Cover): Thermoplastic (UL94V-0)

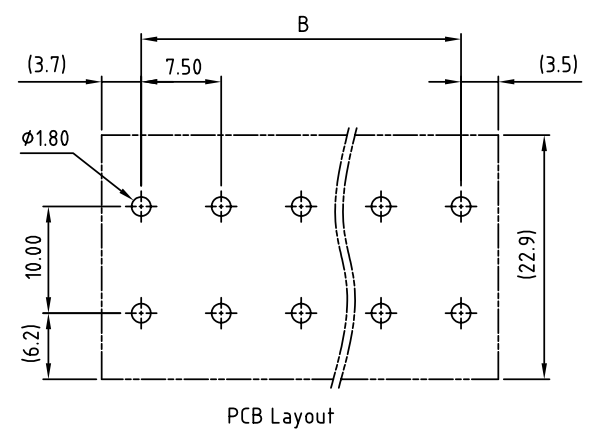
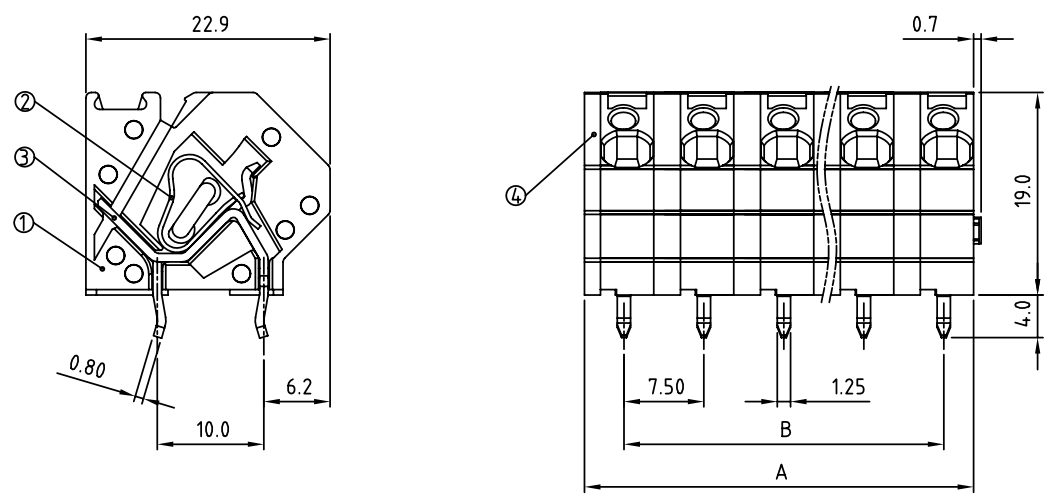
- Electrical: cULus
- Voltage rating: 300V
 - Current rating: 10A
 - Wire range:
 - Solid wire(AWG): 12-28
 - Stranded wire(AWG): 12-28
 - Wire strip length: 8-9mm
 - Withstanding Voltage: 1.6KV
 - Operating temperature: -40°C to +115°C
 - Soldering temperature: 250°C±10°C/5 Sec
 - Safety Approval: 

H3 xx 1 0 x 0 xxxx G

No. OF POLES ————
 02: 2 POLES
 :
 16: 16 POLES

COLOR ————
 0: BLACK
 5: GREEN
 6: BLUE
 8: GREY

G: Pb<40000ppm
 0000: Standard
 Any special item by customer request.
 please contact sales department.



POLE		2	3	4	5	6	7	8	
A		14.00	21.50	29.00	36.50	44.00	51.50	59.00	
B		7.50	15.00	22.50	30.00	37.50	45.00	52.50	
Tol.		±0.15			±0.20				
POLE	9	10	11	12	13	14	15	16	
A	66.50	74.00	81.50	89.00	96.50	104.50	111.50	119.00	
B	60.00	67.50	75.00	82.50	90.00	97.50	105.00	112.50	
Tol.		±0.25				±0.30			

ANYTEK				CUSTOMER COPY			
ALL RIGHTS RESERVED. REPRODUCTION OR ISSUE TO THIRD PARTIES IN ANY FORM WHATSOEVER IS NOT PERMITTED WITHOUT WRITTEN AUTHORITY FROM THE PROPRIETOR. PROPERTY OF ANYTEK TECHNOLOGY CO., LTD							
TITLE	H3 7.5mm Series						
PART NO.	H3xx10x0xxxxG			DWG NO.	8H30002		
APPROVED	CHECKED	DESIGNED	DRAWN	CUST NO.	Tolerance		
		Tony 2008.05.29	Tony 2008.05.29		X. ±0.50		
					X.X ±0.30		
					X.XX ±0.10		
					X° ±1°		
				SHEET: 01/01	UNIT: mm	SCALE: NONE	REV.: B