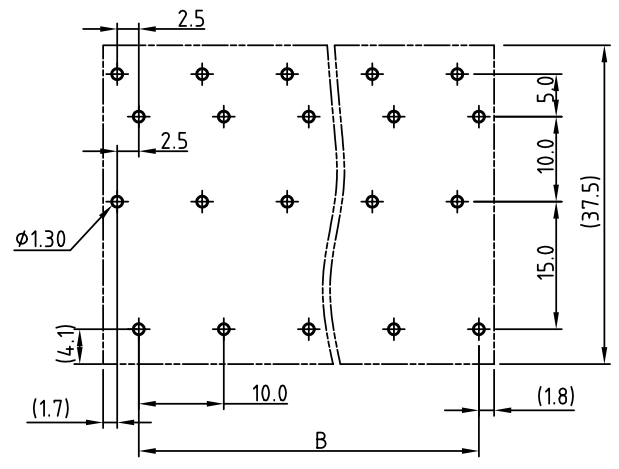
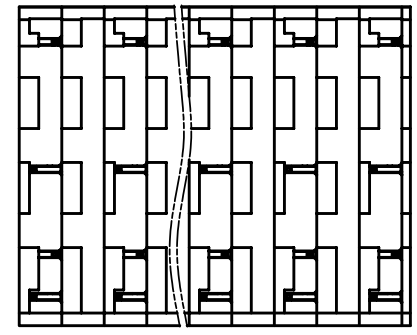
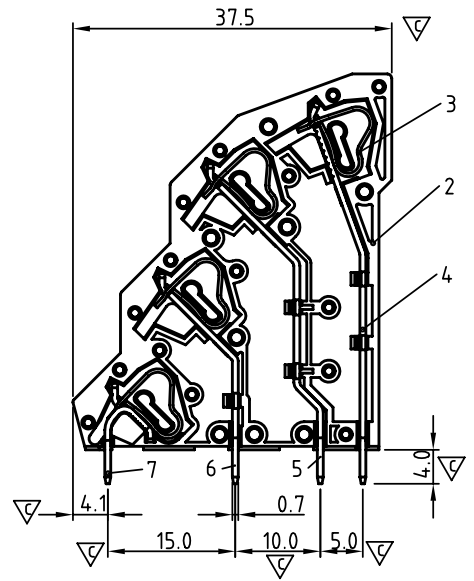
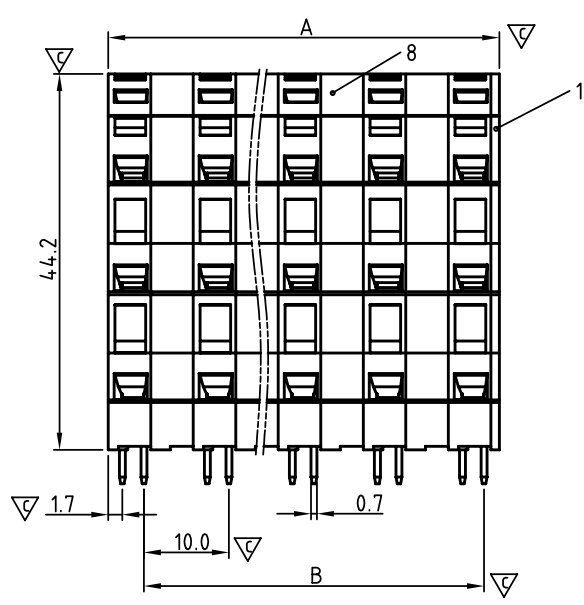


SIGN	DATE	DESCRIPTION	APPROVER
△	09/24/11	Add is "cULus" mark	Runner
THIS IS CAD DRAWING, DO NOT REVISE MANUALLY!!!			



PCB Layout

N = Number of poles.
 Dim.A = N×10.0+1.0
 Dim.B = (N-1)×10.0

POLE	4×2 ~ 4×4	4×5 ~ 4×8	4×9 ~ 4×12
Dim.A	±0.25	±0.35	±0.45
Dim.B	±0.25	±0.30	±0.40

- Material:
- Item 1 Insulator(Cover): Thermoplastic (UL94V-0)
 - Item 2 Insulator(housing): Thermoplastic (UL94V-0)
 - Item 3 Spring clamp: Stainless steel
 - Item 4 Solder Pin (The fourth layer) : Brass, Tin plated
 - Item 5 Solder Pin (The third layer) : Brass, Tin plated
 - Item 6 Solder Pin (The second layer) : Brass, Tin plated
 - Item 7 Solder Pin (The first layer) : Brass, Tin plated
 - Item 8 Insulator(pad board): Thermoplastic (UL94V-0)

- Electrical: cULus
- Voltage rating: 300V
 - Current rating: 10A
 - Wire range:
 - Solid wire(AWG): 12-28
 - Stranded wire(AWG): 12-28
 - Wire strip length: 6-7mm
 - Withstanding Voltage: 1.6KV
 - Operating temperature: -40°C to +115°C
 - Soldering temperature: 250°C±10°C/5 Sec
 - Critical dimension: ▽

△ ● Safety Approval: us

HS xx 2 0 x 1 xxxx G

No. OF POLES ————

08: 4×2 POLES
 44: 4×11 POLES
 48: 4×12 POLES

COLOR ————

0: BLACK
 5: GREEN (RAL 6018/T)
 6: BLUE
 8: GREY (RAL 7004/P)

G: Pb=40000ppm

0000: "@" Logo (Standard)
 000A: "ANYTEK" Mark
 Any special item by customer request.
 please contact sales department.

ANYTEK

CUSTOMER COPY

ALL RIGHTS RESERVED. REPRODUCTION OR ISSUE TO THIRD PARTIES IN ANY FORM WHATSOEVER IS NOT PERMITTED WITHOUT WRITTEN AUTHORITY FROM THE PROPRIETOR. PROPERTY OF ANYTEK TECHNOLOGY CO., LTD

TITLE		HS 10.0mm Series (Solder pins staggered by half the pin spacing)					
PART NO.		HSxx20x1xxxxG			DWG NO.		8HS0302
APPROVED	CHECKED	DESIGNED	DRAWN	CUST NO.	Tolerance		
		Runner	Kind		UNIT: mm	X.	±0.50
		2011.09.24	2009.6.8		SCALE: NONE	X.X	±0.30
				SHEET: 01/01	REV.: B2	X.XX	±0.10
						X°	±1°