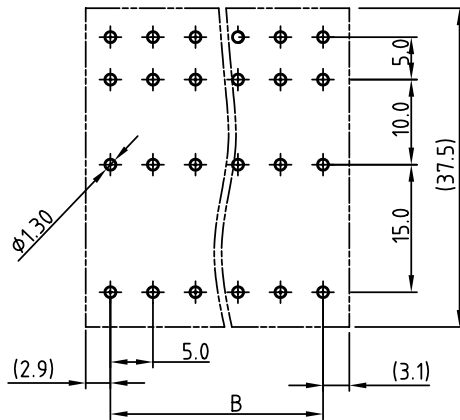
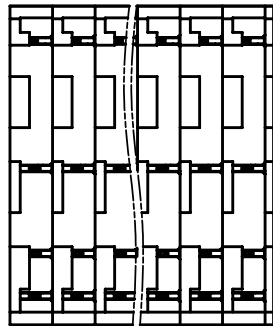
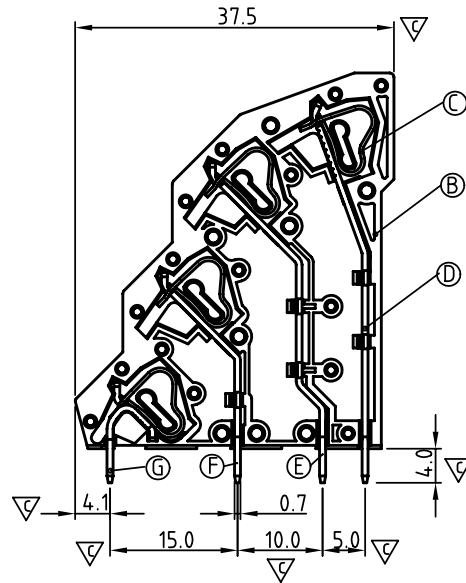
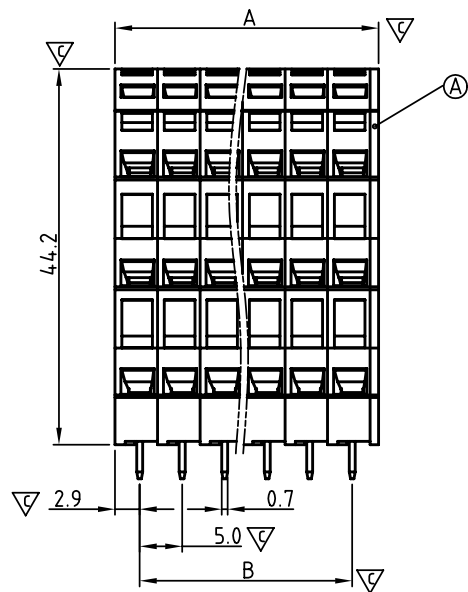


SIGN	DATE	DESCRIPTION	APPROVER
△	07/02`11	No. OF POLES is changed	Runner
△	09/24`11	Add is "cULus" mark	Runner

THIS IS CAD DRAWING, DO NOT REVISE MANUALLY!!!



PCB Layout

Material:

- Item (A) Insulator(Cover): Thermoplastic (UL94V-0)
- Item (B) Insulator(housing): Thermoplastic (UL94V-0)
- Item (C) Spring clamp: Stainless steel
- Item (D) Solder Pin (The fourth layer) : Brass, Tin plated
- Item (E) Solder Pin (The third layer) : Brass, Tin plated
- Item (F) Solder Pin (The second layer) : Brass, Tin plated
- Item (G) Solder Pin (The first layer) : Brass, Tin plated

Electrical: cULus

- Voltage rating: 300V
- Current rating: 10A
- Wire range:
- Solid wire(AWG): 12-28
- Stranded wire(AWG): 12-28
- Wire strip length: 6-7mm
- Withstanding Voltage: 1.6KV
- Operating temperature: -40°C to +115°C
- Soldering temperature: 250°C±10°C/5 Sec

- △ Safety Approval: us
- Critical dimension: ▽

HS xx 0 0 x 0 xxxx G

- △ No. OF POLES: 08: 4x2 POLES, 92: 4x23 POLES, 96: 4x24 POLES
- COLOR: 0: BLACK, 5: GREEN (RAL 6018/T), 6: BLUE, 8: GREY (RAL 7004/P)
- G: Pb<40000ppm
- 0000: "@" Logo (Standard)
- 000A: "ANYTEK" Mark
- Any special item by customer request. please contact sales department.

N = Number of poles.
 Dim.A = N×5.0+1.0
 Dim.B = (N-1)×5.0

POLE	4×2 ~ 4×6	4×7 ~ 4×12	4×13 ~ 4×18	4×19 ~ 4×24
Dim.A	±0.15	±0.25	±0.35	±0.45
Dim.B	±0.15	±0.25	±0.30	±0.40

ANYTEK

CUSTOMER COPY

ALL RIGHTS RESERVED. REPRODUCTION OR ISSUE TO THIRD PARTIES IN ANY FORM WHATSOEVER IS NOT PERMITTED WITHOUT WRITTEN AUTHORITY FROM THE PROPRIETOR. PROPERTY OF ANYTEK TECHNOLOGY CO., LTD

TITLE		HS 5.0mm Series (Solder pins in line)					
PART NO.		HSxx00x0xxxxG		DWG NO.		8HS0101	
APPROVED		CHECKED	DESIGNED	DRAWN	CUST NO.		Tolerance
			Runner	Kind			X. ±0.50
			2011.09.24	2009.6.8			X.X ±0.30
						UNIT: mm	
						SCALE: NONE	
				SHEET: 01/01		REV.: D	
						X° ±1°	