

SIGN	DATE	DESCRIPTION	APPROVER
△			

THIS IS CAD DRAWING, DO NOT REVISE MANUALLY!!!

**Material**

- Item ① Terminal body: Thermoplastic ( UL94V-0 )
- Item ② Spring clamp of short : Brass Tin plated.
- Item ③ Spring clamp of long : Brass Tin plated.
- Item ④ Spring clamp: Stainless steel
- Item ⑤ Terminal cover : Thermoplastic ( UL94V-0 )
- Item ⑥ Pad board: Thermoplastic ( UL94V-0 )

Electrical: cULus

- Voltage rating: 300V
- Current rating: 10A
- Wire range:
- Solid wire(AWG): 12-28
- Stranded wire(AWG): 12-28
- Wire strip length: 5-6mm
- Withstanding Voltage: 1.6KV
- Operating temperature: -40°C to +115°C
- Soldering temperature: 250°C±10°C/5 Sec

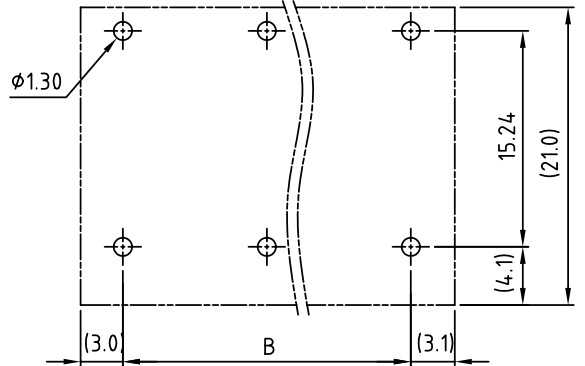
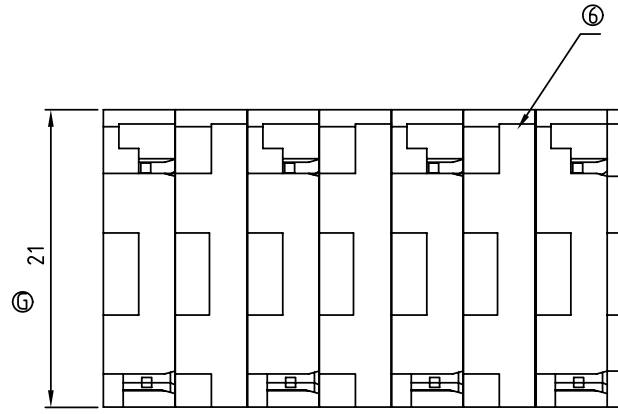
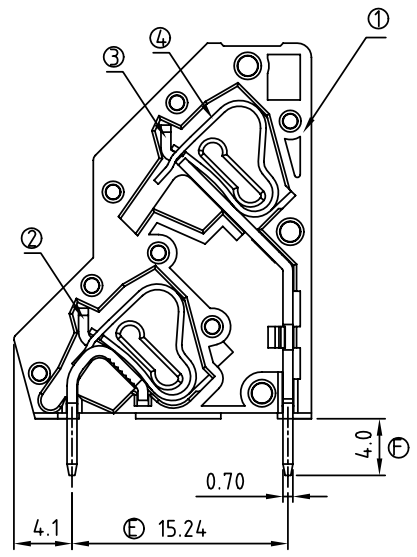
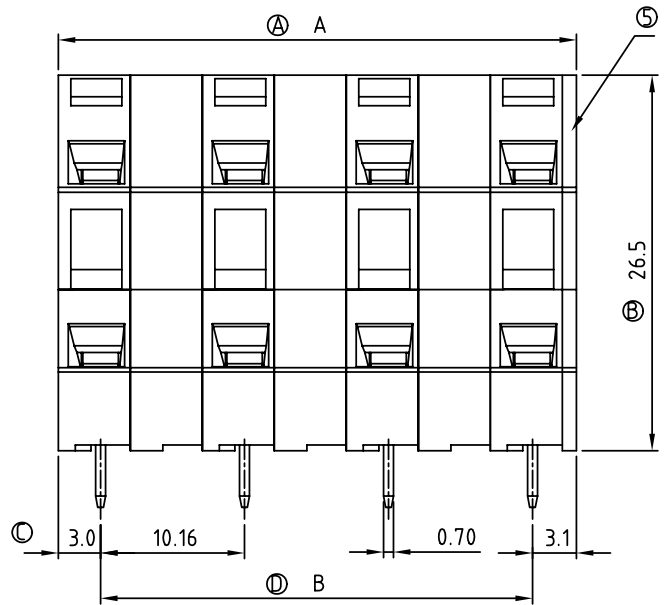
△ ● Safety Approval: 

**HQ xx 4 0 x 0 xxxx G**

- No. OF POLES
- 02: 2x1 POLES
  - 04: 2x2 POLES
  - 24: 2x12 POLES

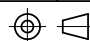
- G: Pb<40000ppm
- 0000: "@ " Logo (Standard)
- 000A: "ANYTEK" Mark
- Any special item by customer request. please contact sales department.

- COLOR
- 0: BLACK
  - 5: GREEN (RAL 6018/T)
  - 6: BLUE
  - 8: GREY (RAL 7004/P)



PCB Layout

POLE	2x2	2x3	2x4	2x5	2x6	2x7	2x8	2x9	2x10	2x11	2x12
A	16.24	26.40	36.56	46.72	56.88	67.04	77.20	87.36	97.52	107.68	117.84
B	10.16	20.32	30.48	40.64	50.80	60.96	71.12	81.28	91.44	101.60	117.76
Tol.	±0.10					±0.15					

<b>ANYTEK</b>				<b>CUSTOMER COPY</b>				
								ALL RIGHTS RESERVED. REPRODUCTION OR ISSUE TO THIRD PARTIES IN ANY FORM WHATSOEVER IS NOT PERMITTED WITHOUT WRITTEN AUTHORITY FROM THE PROPRIETOR. PROPERTY OF ANYTEK TECHNOLOGY CO., LTD
TITLE		HQ 10.16mm Series (Solder pins in line)						
PART NO.		HQxx40x0xxxxG			DWG NO.		8HQ0003	
APPROVED		CHECKED	DESIGNED	DRAWN	CUST NO.		Tolerance	
			Runner	Runner			UNIT: mm	X. ±0.50
			2010.05.13	2010.05.13			SCALE: NONE	X.X ±0.30
					SHEET: 01/01		REV.: B	X.XX ±0.10
								X° ±1°