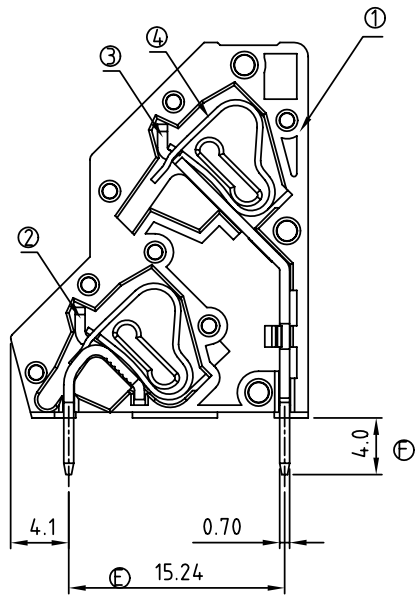
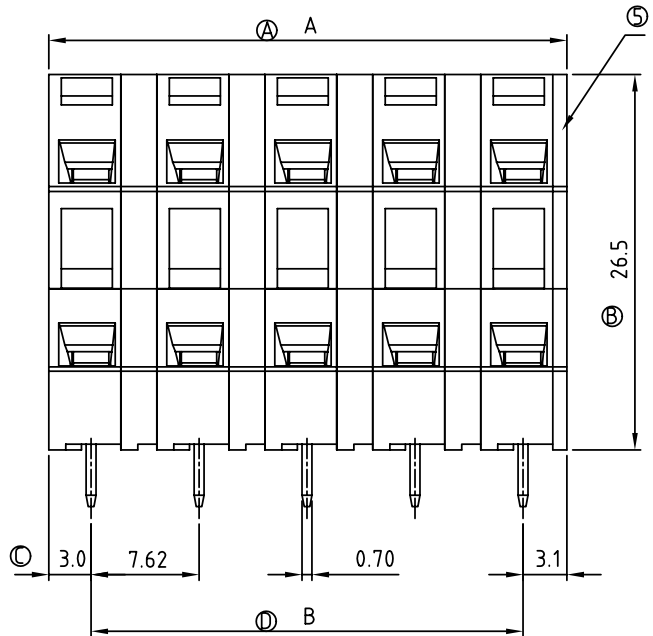


SIGN	DATE	DESCRIPTION	APPROVER
△			

THIS IS CAD DRAWING, DO NOT REVISE MANUALLY!!!



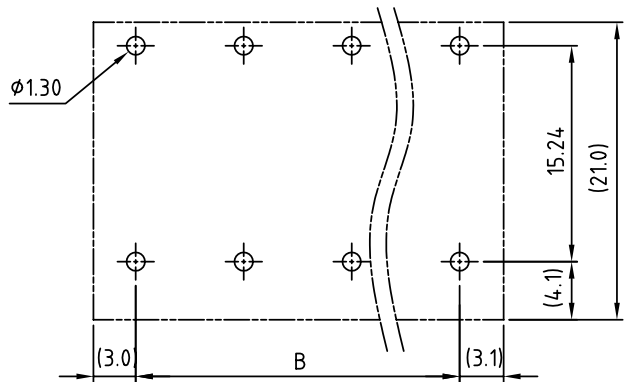
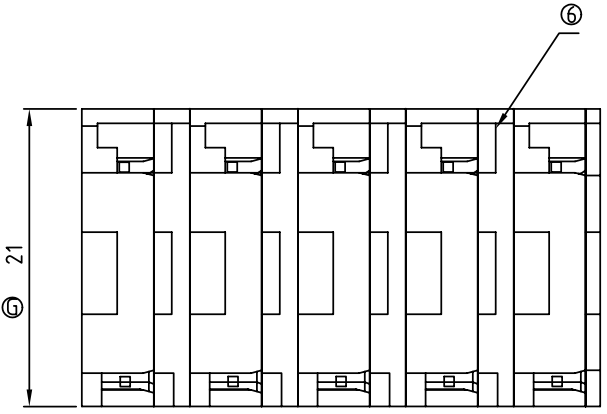
Material

- Item ① Terminal body: Thermoplastic (UL94V-0)
- Item ② Spring clamp of short : Brass Tin plated.
- Item ③ Spring clamp of long : Brass Tin plated.
- Item ④ Spring clamp: Stainless steel
- Item ⑤ Terminal cover : Thermoplastic (UL94V-0)
- Item ⑥ Pad board: Thermoplastic (UL94V-0)

Electrical: cULus

- Voltage rating: 300V
- Current rating: 10A
- Wire range:
- Solid wire(AWG): 12-28
- Stranded wire(AWG): 12-28
- Wire strip length: 5-6mm
- Withstanding Voltage: 1.6KV
- Operating temperature: -40°C to +115°C
- Soldering temperature: 250°C±10°C/5 Sec

△ ● Safety Approval: cULus



PCB Layout

HQ xx 5 0 x 0 xxxx G

- No. OF POLES
- 02: 2x1 POLES
 - 04: 2x2 POLES
 - 32: 2x16 POLES

G: Pb<4000ppm
 0000: "@ " Logo (Standard)
 000A: "ANYTEK" Mark
 Any special item by customer request. please contact sales department.

- COLOR
- 0: BLACK
 - 5: GREEN (RAL 6018/T)
 - 6: BLUE
 - 8: GREY (RAL 7004/P)

POLE		2x2	2x3	2x4	2x5	2x6	2x7	2x8
A		13.70	21.32	28.94	36.56	44.18	51.80	59.42
B		7.62	15.24	22.86	30.48	38.10	45.72	53.34
Tol.		±0.10			±0.15			
POLE	2x9	2x10	2x11	2x12	2x13	2x14	2x15	2x16
A	67.04	74.66	82.28	89.90	97.52	105.14	112.76	120.38
B	60.96	68.58	76.20	83.82	91.44	99.06	106.68	114.30
Tol.		±0.20			±0.30			

ANYTEK				CUSTOMER COPY			
ALL RIGHTS RESERVED. REPRODUCTION OR ISSUE TO THIRD PARTIES IN ANY FORM WHATSOEVER IS NOT PERMITTED WITHOUT WRITTEN AUTHORITY FROM THE PROPRIETOR. PROPERTY OF ANYTEK TECHNOLOGY CO., LTD							
TITLE	HQ 7.62mm Series (Solder pins in line)						
PART NO.	HQxx50x0xxxxG			DWG NO.	8HQ0002		
APPROVED	CHECKED	DESIGNED	DRAWN	CUST NO.	Tolerance		
		Runner 2010.05.13	Runner 2010.05.13		X. ±0.50		
					X.X ±0.30		
					X.XX ±0.10		
					X° ±1°		
				SHEET: 01/01	REV.: B		