

SIGN	DATE	DESCRIPTION	APPROVER
△		THIS IS CAD DRAWING, DO NOT REVISE MANUALLY!!!	

Material

- Item ① Terminal body: Thermoplastic (UL94V-0)
- Item ② Spring clamp of short : Brass Tin plated.
- Item ③ Spring clamp of long : Brass Tin plated.
- Item ④ Spring clamp: Stainless steel
- Item ⑤ Terminal cover : Thermoplastic (UL94V-0)

Electrical:

- | | |
|--------------------------|------------------|
| | cULus |
| ● Voltage rating: | 300V |
| ● Current rating: | 10A |
| ● Wire range: | |
| ● Solid wire(AWG): | 12-28 |
| ● Stranded wire(AWG): | 12-28 |
| ● Wire strip length: | 5-6mm |
| ● Withstanding Voltage: | 1.6KV |
| ● Operating temperature: | -40°C to +115°C |
| ● Soldering temperature: | 250°C±10°C/5 Sec |

△ ● Safety Approval: us

HQ xx 3 0 x 0 xxxx G

No. OF POLES _____

02: 2x1 POLES

04: 2x2 POLES

46: 2x23 POLES

48: 2x24 POLES

COLOR _____

0: BLACK

5: GREEN (RAL 6018/T)

6: BLUE

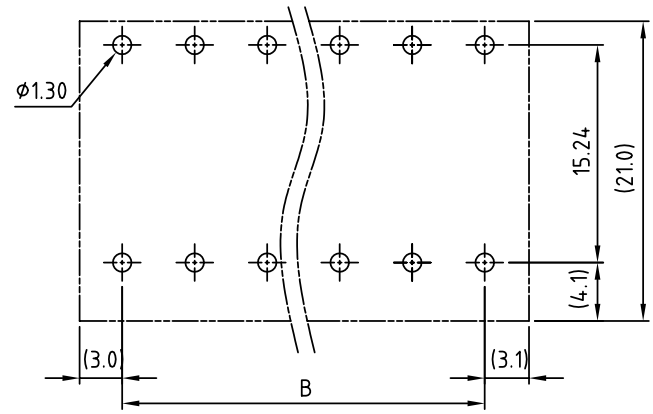
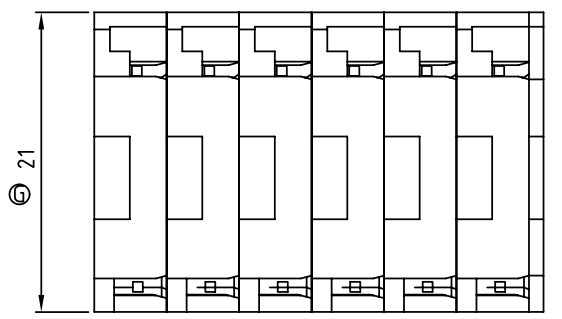
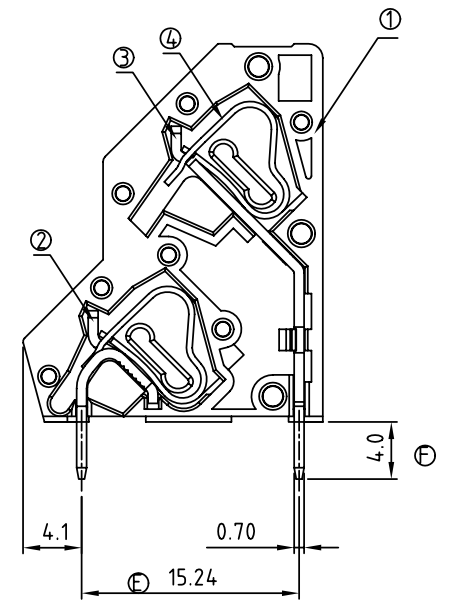
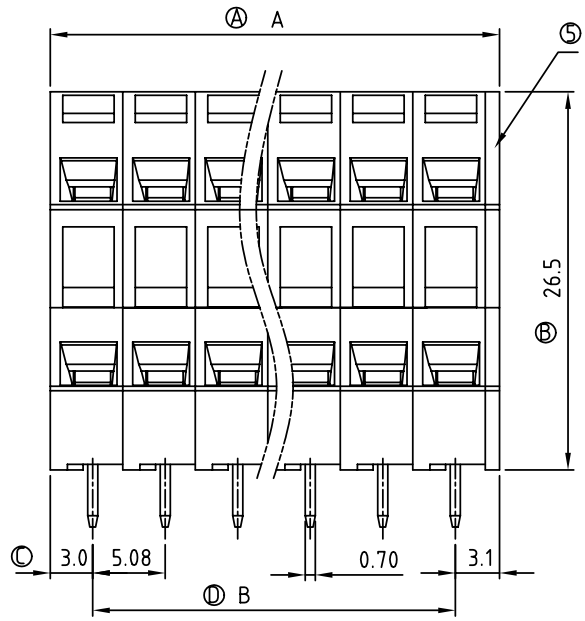
8: GREY (RAL 7004/P)

G: Pb<4000ppm

0000: "@" Logo (Standard)

000A: "ANYTEK" Mark

Any special item by customer request. please contact sales department.



PCB Layout

POLE		2x2	2x3	2x4	2x5	2x6	2x7	2x8	2x9	2x10	2x11	2x12
A		11.16	16.24	21.32	26.40	31.48	36.56	41.46	46.72	51.80	56.88	61.96
B		5.08	10.16	15.24	20.32	25.40	30.48	35.56	40.64	45.72	50.80	55.88
Tol.		±0.10					±0.15					
POLE	2x13	2x14	2x15	2x16	2x17	2x18	2x19	2x20	2x21	2x22	2x23	2x24
A	67.04	72.12	77.20	82.28	87.36	92.44	97.52	102.60	107.68	112.76	117.84	122.92
B	60.96	66.04	71.12	76.20	81.28	86.36	91.44	96.52	101.60	106.68	111.76	116.84
Tol.	±0.20					±0.30						

ANYTEK				CUSTOMER COPY			
<small>ALL RIGHTS RESERVED. REPRODUCTION OR ISSUE TO THIRD PARTIES IN ANY FORM WHATEVER IS NOT PERMITTED WITHOUT WRITTEN AUTHORITY FROM THE PROPRIETOR. PROPERTY OF ANYTEK TECHNOLOGY CO., LTD</small>							
TITLE	HQ 5.08mm Series (Solder pins in line)						
PART NO.	HQxx3x0xxxxG			DWG NO.	8HQ0001		
APPROVED	CHECKED	DESIGNED	DRAWN	CUST NO.	Tolerance		
		Runner 2010.05.13	Runner 2010.05.13		X. ±0.50		
					X.X ±0.30		
					X.XX ±0.10		
					X° ±1°		
				SHEET: 01/01	REV.: C	UNIT: mm	SCALE: NONE