

SIGN	DATE	DESCRIPTION	APPROVER
△	10/16'12	Update the drawing	Da cheng

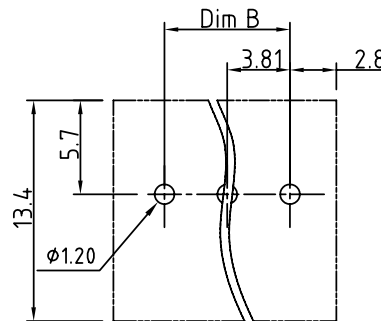
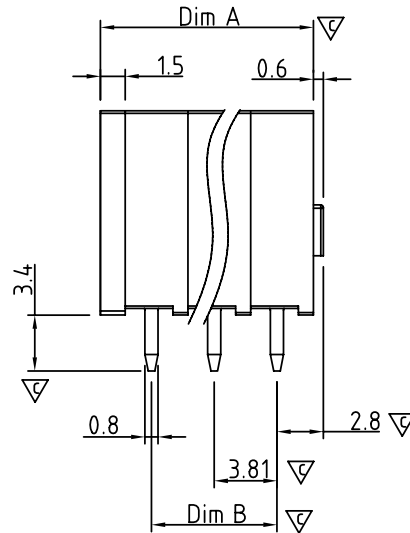
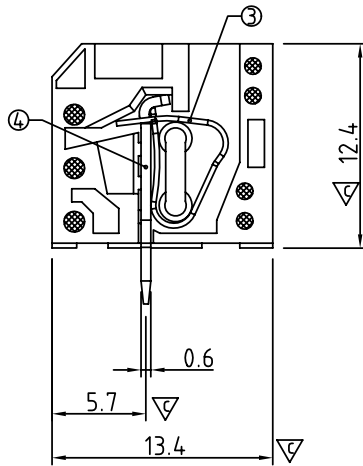
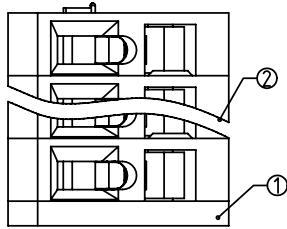
THIS IS CAD DRAWING, DO NOT REVISE MANUALLY!!!

Material:

- Item ① Insulator(Cover): Thermoplastic (UL94V-0)
- Item ② Insulator(housing): Thermoplastic (UL94V-0)
- Item ③ Spring clamp: Stainless steel
- Item ④ Terminal Body(contact pin): Brass tin plated

Electrical: cULus

- Voltage rating: 300V
- Current rating: 8A
- Wire range:
- Solid wire(AWG): 14-28
- Stranded wire(AWG): 14-28
- Wire strip length: 5-6mm
- Withstanding Voltage: 1.6KV
- Operating temperature: -40°C to +115°C
- △ ● Soldering temperature: 260°C±5°C/5 Sec
- △ ● Critical dimension: ▽



P.C.B LAYOUT  
Top view

HM xx 3 0 x 0 xxxx G

No. OF POLES  
02: 2 POLES  
:  
24: 24 POLES

COLOR  
0: BLACK  
5: GREEN (RAL 6018/T)  
6: BLUE  
8: GREY (RAL 7004/P)

RoHS compliant  
(lead<4%)  
In copper Alloy △

0000: Standard  
Any special item by  
customer request.  
please contact sales  
department.

△ N=Number or contacts  
Dim A=Nx3.81+1.5  
Dim B=(N-1)x3.81

Poles Dim	2~6P	7~12P	13~18P	19~24P
Dim A	±0.15	±0.20	±0.30	±0.40
Dim B	±0.15	±0.20	±0.25	±0.30

**ANYTEK**

**CUSTOMER COPY**

ALL RIGHTS RESERVED. REPRODUCTION OR ISSUE TO THIRD PARTIES IN ANY FORM WHATSOEVER IS NOT PERMITTED WITHOUT WRITTEN AUTHORITY FROM THE PROPRIETOR. PROPERTY OF ANYTEK TECHNOLOGY CO., LTD

TITLE		HM 3.81mm Series Dip solder Type	
PART NO.	HMxx30x0xxxxG	DWG NO.	8HM0201
APPROVED	CHECKED	DESIGNED	DRAWN
		Da cheng 2012.10.16	Da cheng 2012.10.16
SHEET: 01/01		Tolerance	
UNIT: mm		X.	±0.50
SCALE: NONE		X.X	±0.30
REV.: C		X.XX	±0.10
		X°	±1°