

SIGN	DATE	DESCRIPTION	APPROVER
△	10/30'09	The dimension changed from 19.1 to 19.1±0.50	Kind
△	10/30'09	Add tolerance table for Dim.L and Dim.P	Kind
△	10/30'09	Terminal lever material changed to thermoplastic (UL94-HB)	Kind
△	04/23'13	Update the drawing	Da cheng

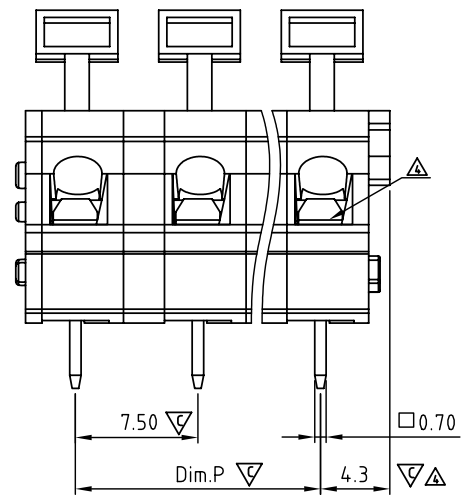
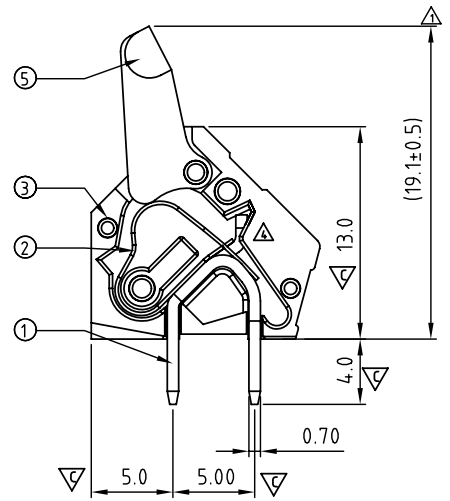
THIS IS CAD DRAWING, DO NOT REVISE MANUALLY!!!

Material

- Item 1 Solder pin : Brass , Tin plated
- Item 2 Wire guard : Stainless steel
- Item 3 Terminal housing: Thermoplastic (UL94V-0)
- Item 4 Terminal cover: Thermoplastic (UL94V-0)
- Item 5 Terminal lever: Thermoplastic (UL94V-HB)
- Item 6 Terminal pad: Thermoplastic (UL94V-0)

Electrical

- Voltage rating: 300V
- Current rating: 15A
- Wire range:
- Solid wire(AWG): 12-28
- Stranded wire(AWG): 12-28
- Wire strip length: 6-7mm
- Withstanding Voltage: 1.6KV
- Operating temperature: -40°C to +115°C
- Soldering temperature: 260°C±5°C/5 Sec
- Safety Approval:
- Critical dimension:

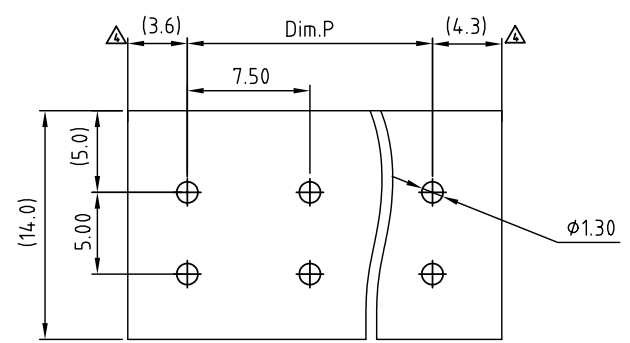


HT xx 20 x 0 xxxx G

- 02 2 CONTACTS
 - 03 3 CONTACTS
 -
 - 16 16 CONTACTS
- Color**
- 0 Black (RAL9005)
 - 2 Red (RAL3001/D)
 - 3 Orange(RAL2011/P)
 - 4 Yellow(RAL1018/A)
 - 5 Green(RAL6018/T)
 - 6 Blue (RAL5015/A)
 - 8 Grey(RAL7004/P)
 - 9 White(RAL1102)
 - C Multiple colors
- G: RoHs compliant (lead<4%) In copper Alloy**
- 000 0 Standard @ Logo
 - 000 A Standard ANY Logo
 - 009 1 Standard ANY Logo
 - Any special item by customer request, please contact sales department.

△ N=Number of Poles
 Dim.P=(N-1)×7.5
 Dim.L=(N-1)×7.5+6.0

Poles Dim.	2P-6P	7P-12P	12P-16P
Dim.L	±0.25	±0.30	±0.40
Dim.P	±0.25	±0.30	±0.35



△ PCB LAYOUT
Top view

ANYTEK		CUSTOMER COPY			
TITLE	HT-7.5 Series				
PART NO.	HTxx20x0xxxxG			DWG NO.	8HT0201
APPROVED	CHECKED	DESIGNED	DRAWN	CUST NO.	Tolerance
		Da cheng 2013.04.23	Da cheng 2013.04.23		X. ±0.50 X.X ±0.30 X.XX ±0.10 X° ±1°
				SHEET: 01/01	UNIT: mm SCALE: NONE REV.: D