

SIGN	DATE	DESCRIPTION	APPROVER
△	10/30'09	The dimension changed from 19.1 to 19.1±0.50	Kind
△	10/30'09	Add tolerance table for Dim.L and Dim.P	Kind
△	10/30'09	Terminal lever material changed to thermoplastic (UL94-HB)	Kind
△	04/23'13	Update the drawing	Da cheng

THIS IS CAD DRAWING, DO NOT REVISE MANUALLY!!!

Material

- Item 1 Solder pin : Brass , Tin plated
- Item 2 Spring clamp : Stainless steel
- Item 3 Terminal housing: Thermoplastic (UL94V-0)
- Item 4 Terminal cover: Thermoplastic (UL94V-0)
- △ ● Item 5 Terminal lever: Thermoplastic (UL94V-HB)

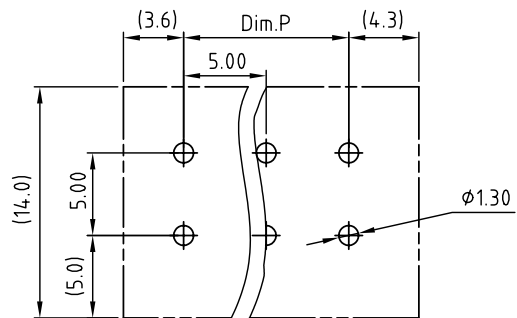
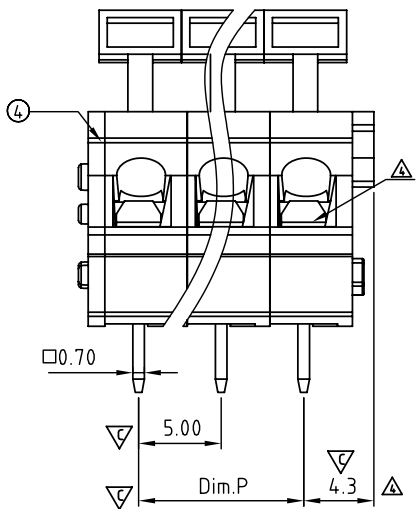
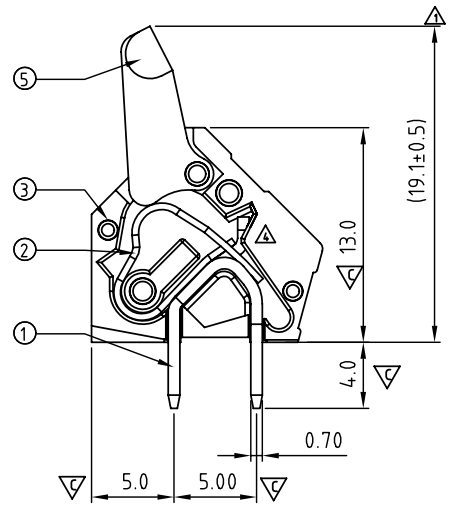
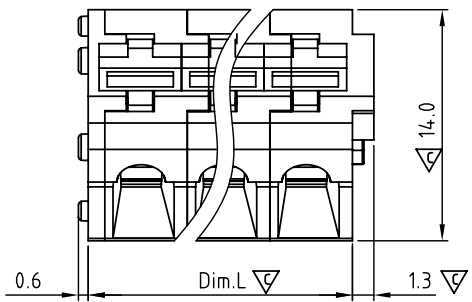
Electrical

- Voltage rating: 300V
- Current rating: 15A
- Wire range:
- Solid wire(AWG): 12-28
- Stranded wire(AWG): 12-28
- Wire strip length: 6-7mm
- Withstanding Voltage: 1.6KV
- Operating temperature: -40°C to +115°C
- △ ● Soldering temperature: 260°C±5°C/5 Sec
- Safety Approval: us
- △ ● Critical dimension:

cULus

HT xx 00 x 0 xxxx G

- △ 01 1 CONTACTS
 - 02 2 CONTACTS
 -
 - 24 24 CONTACTS
- △ Color
 - 0 Black (RAL9005)
 - 2 Red (RAL3001/D)
 - 3 Orange(RAL2011/P)
 - 4 Yellow(RAL1018/A)
 - 5 Green(RAL6018/T)
 - 6 Blue (RAL5015/A)
 - 8 Grey(RAL7004/P)
 - 9 White(RAL1102)
 - C Multiple colors
- △ G: RoHs compliant (lead<4%) In copper Alloy
 - 000 0 Standard @ Logo
 - 000 A Standard ANY Logo
 - 009 1 Standard ANY Logo
 - Any special item by customer request, please contact sales department.



△ PCB.LAYOUT Bottom view

△ N=Number of Poles
 Dim.P=(N-1)×5.0
 Dim.L=N×5.0+1.0

△ Poles Dim.	1P	2P-6P	7P-12P	12P-18P	19P-24P
Dim.L	±0.10	±0.20	±0.25	±0.30	±0.40
Dim.P		±0.15	±0.20	±0.25	±0.35

<h1>ANYTEK</h1>		CUSTOMER COPY			
ALL RIGHTS RESERVED. REPRODUCTION OR ISSUE TO THIRD PARTIES IN ANY FORM WHATSOEVER IS NOT PERMITTED WITHOUT WRITTEN AUTHORITY FROM THE PROPRIETOR. PROPERTY OF ANYTEK TECHNOLOGY CO., LTD					
TITLE		HT-5.0 Series			
PART NO.	HTxx00x0xxxxG	DWG NO.	8HT0001		
APPROVED	CHECKED	DESIGNED	DRAWN	CUST NO.	Tolerance
		Da cheng 2013.04.23	Da cheng 2013.04.23		X. ±0.50 X.X ±0.30 X.XX ±0.10 X° ±1°
SHEET: 01/01		REV.: F		UNIT: mm	SCALE: NONE