



SIGN	DATE	DESCRIPTION	APPROVER
△	01/27'07	The soldering temperature from 245° to 250°	Aaron
△	10/09'12	Update the drawing	Da cheng
△	04/19'13	Update the drawing	Jacky

THIS IS CAD DRAWING, DO NOT REVISE MANUALLY!!!

△ Material

- Item ① Terminal body (Contact pin): Brass, Tin plated
- Item ② Spring clamp: Stainless steel
- Item ③ Terminal Cover: Thermoplastic (UL94V-0)
- Item ④ Terminal Body: Thermoplastic (UL94V-0)
- Item ⑤ Pad board: Thermoplastic (UL94V-0)

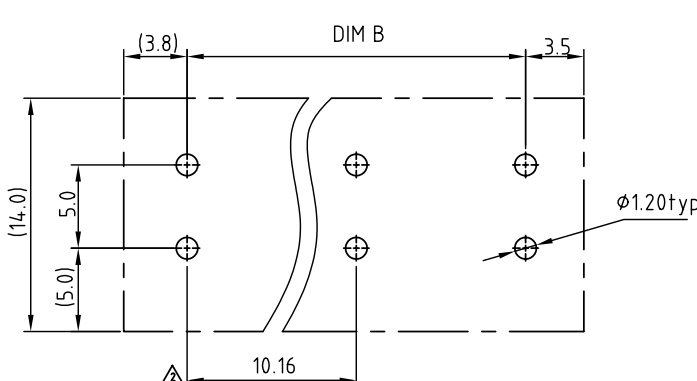
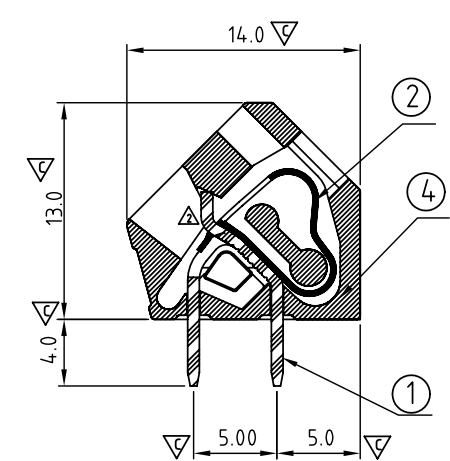
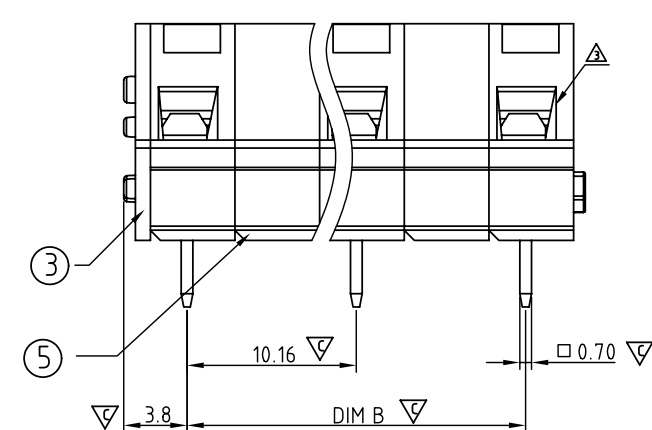
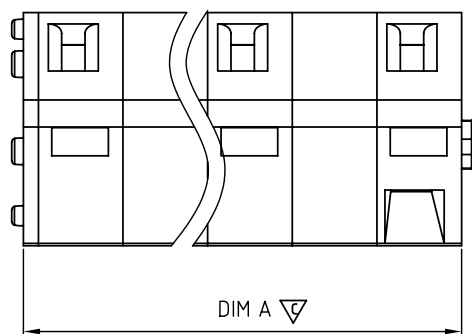
Electrical

- Voltage rating: 300V
- Current rating: 15A
- Wire range:
- Solid wire(AWG): 12-28
- Stranded wire(AWG): 12-28
- Wire strip length: 5-6mm
- Withstanding Voltage: 1.6KV
- Operating temperature: -40°C to +115°C
- Soldering temperature: 260°C±5°C/5 Sec
- Safety Approval:  us
- Critical dimension: 

cULus

HG xx 40 x 0 xxxx G

02 2 CONTACTS	Color △△	000 0 Standard @ Logo	RoHS compliant
03 3 CONTACTS	0 Black (RAL9005)	000 A Standard ANY Logo (lead<4%)	△
...	2 Red (RAL3001/D)	Any special item by customer request,	In copper Alloy
12 12 CONTACTS	3 Orange(RAL2011/P)	please contact sales department.	
	4 Yellow(RAL1018/A)		
	5 Green(RAL6018/T)		
	6 Blue (RAL5015/A)		
	8 Grey(RAL7004/P)		
	9 White(RAL1102)		
	C Multiple colors		



PCB LAYOUT
△ Bottom view

△ Dimension

DIM A	$(N-1) \times 10.16 + 5.98$
DIM B	$(N-1) \times 10.16$

△ N=Number of poles

POLES	DIM B	DIM A
2p-4p	±0.15	±0.20
5p-7p	±0.20	±0.25
8p-10p	±0.25	±0.30
11p-12p	±0.30	±0.40

ANYTEK

CUSTOMER COPY

ALL RIGHTS RESERVED. REPRODUCTION OR ISSUE TO THIRD PARTIES IN ANY FORM WHATSOEVER IS NOT PERMITTED WITHOUT WRITTEN AUTHORITY FROM THE PROPRIETOR. PROPERTY OF ANYTEK TECHNOLOGY CO., LTD

TITLE: HG 10.16mm Series		DWG NO.: 8HG501	
PART NO.: HGxx40x0xxxxG	CUST NO.:	Tolerance	
APPROVED:	CHECKED:	DESIGNED: Jacky 2013.04.19	DRAWN: Jacky 2013.04.19
SHEET: 01/01		UNIT: mm	X. ±0.50
		SCALE: NONE	X.X ±0.30
		REV.: F	X.XX ±0.10
			X° ±1°