


| SIGN | DATE | DESCRIPTION | APPROVER |
|------|----------|---|----------|
| △ | 01/27'07 | The soldering temperature from 245° to 250° | Aaron |
| △ | 10/09'12 | Update the drawing | Da cheng |
| △ | 04/19'13 | Update the drawing | Da cheng |

THIS IS CAD DRAWING, DO NOT REVISE MANUALLY!!!

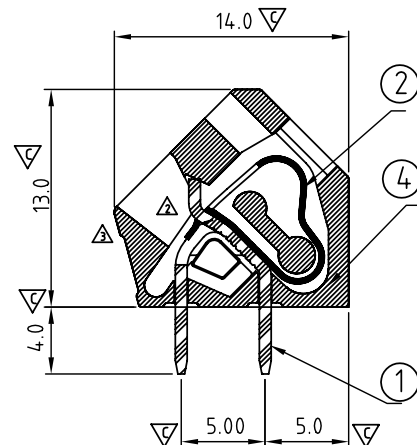
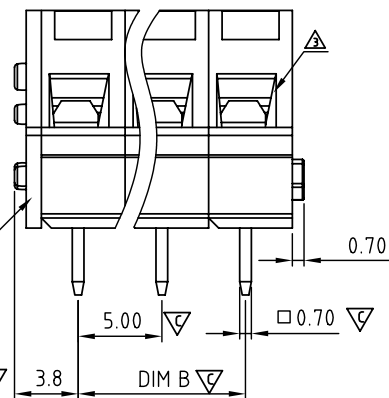
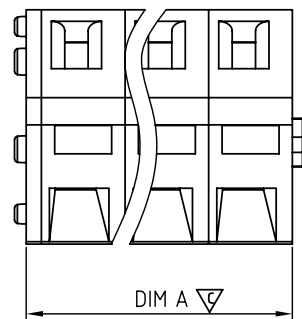
△ Material

- Item ① Terminal body (Contact pin): Brass, Tin plated
- Item ② Spring clamp: Stainless steel
- Item ③ Terminal Cover: Thermoplastic (UL94V-0)
- Item ④ Terminal Body: Thermoplastic (UL94V-0)

Electrical

- Voltage rating: 300V
- Current rating: 15A
- Wire range:
- Solid wire(AWG): 12-28
- Stranded wire(AWG): 12-28
- △ ● Wire strip length: 5-6mm
- Withstanding Voltage: 1.6KV
- Operating temperature: -40°C to +115°C
- △△ ● Soldering temperature: 260°C±5°C/5 Sec
- Safety Approval: 
- △ ● Critical dimension: ▽

cULus



HG xx 00 x 0 xxxx G

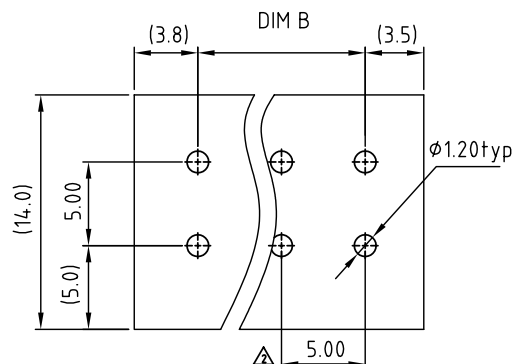
| | | | | |
|-----|-------------|---------------------|-------------------------|---------------------|
| 01 | 1 CONTACTS | △△ Color | 000 0 Standard @ Logo | G: RoHs compliant △ |
| 02 | 2 CONTACTS | 0 Black (RAL9005) | 000 A Standard ANY Logo | (lead<4%) |
| ... | ... | 2 Red (RAL3001/D) | Any special item by | In copper Alloy |
| ... | ... | 3 Orange(RAL2011/P) | customer request, | |
| 24 | 24 CONTACTS | 4 Yellow(RAL1018/A) | please contact sales | |
| | | 5 Green(RAL6018/T) | department. | |
| | | 6 Blue (RAL5015/A) | | |
| | | 8 Grey(RAL7004/P) | | |
| | | 9 White(RAL1102) | | |
| | | C Multiple colors | | |

△ Dimension

| | |
|-------|-----------|
| DIM A | Nx5.0+0.9 |
| DIM B | (N-1)×5.0 |

△ N=Number of poles

| POLES | DIM B | DIM A |
|---------|-------|-------|
| 1P | | ±0.10 |
| 2p-6p | ±0.15 | ±0.20 |
| 7p-12p | ±0.20 | ±0.25 |
| 13p-18p | ±0.25 | ±0.30 |
| 19p-24p | ±0.35 | ±0.40 |



PCB LAYOUT
△ Bottom view

ANYTEK

CUSTOMER COPY

ALL RIGHTS RESERVED. REPRODUCTION OR ISSUE TO THIRD PARTIES IN ANY FORM WHATSOEVER IS NOT PERMITTED WITHOUT WRITTEN AUTHORITY FROM THE PROPRIETOR. PROPERTY OF ANYTEK TECHNOLOGY CO., LTD

| | | | | | | | |
|----------|---------|------------------------|------------------------|--------------|--|-------------|--|
| TITLE | | HG 5.0mm Series | | DWG NO. | | 8HG0001 | |
| PART NO. | | HGxx00x0xxxxG | | CUST NO. | | | |
| APPROVED | CHECKED | DESIGNED | DRAWN | Tolerance | | | |
| | | Da cheng 2013.04.19 | Da cheng 2013.04.19 | X. ±0.50 | | | |
| | | | | SHEET: 01/01 | | UNIT: mm | |
| | | | | | | SCALE: NONE | |
| | | | | | | X.X ±0.30 | |
| | | | | | | X.XX ±0.10 | |
| | | | | | | X° ±1° | |