

SIGN	DATE	DESCRIPTION	APPROVER
△	01/27'07	The Soldering temperature from 245° to 250°	Aaron
△	08/31'09	Add tolerance table.	Kind
△	05/14'11	The design is changed	Chen Bo
△	02/22'12	The dimension is changed from 0.99mm to 1.5mm	Runner
△	02/22'12	The dimension is changed	Runner
△	10/22'12	update the drawing	Da cheng

THIS IS CAD DRAWING, DO NOT REVISE MANUALLY!!!

Material

- Item 1 Terminal body Thermoplastic (UL94V-0)
- Item 2 Terminal cover Thermoplastic (UL94V-0)
- Item 3 Terminal lever Thermoplastic (UL94V-0) Orange (RAL 2011/P)
- Item 4 Solder pin Brass, Tin plated
- Item 5 Spring clamp Stainless steel

Electrical cULus

- Voltage rating: 250VAC
- Current rating: 12A
- Wire range:
- Solid wire(AWG): 16-22
- Stranded wire(AWG): 16-22
- Withstanding Voltage: 1.5KV
- Operating temperature: -40°C to +115°C
- Soldering temperature: 260°C±5°C/5 Sec
- Safety Approval: cULus
- Critical dimension: ▽

PART NO.

HD xx 00 x 0 xxxx G

NO of Poles

02 2 Contacts

03 3 Contacts

..

24 24 Contacts

△ Body&cover Color

0 Black

5 Green (RAL 6018/T)

6 Blue (RAL 5015/A)

8 Grey (RAL 7004/P)

RoHS compliant (lead<4%)
In copper Alloy

0000 Standard @ Logo

000A Standard ANY Logo

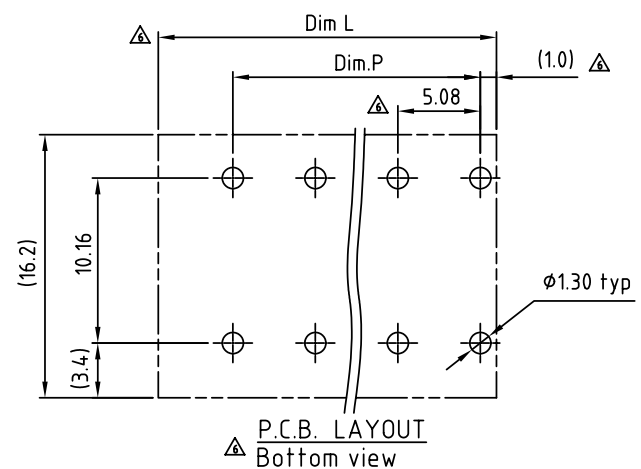
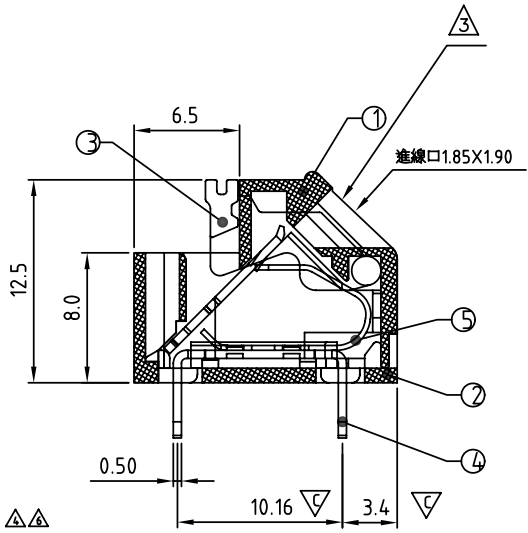
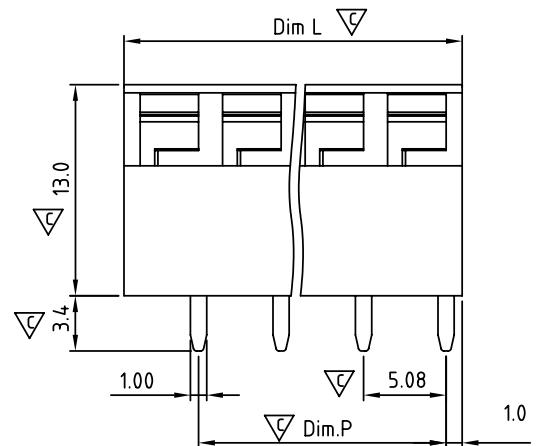
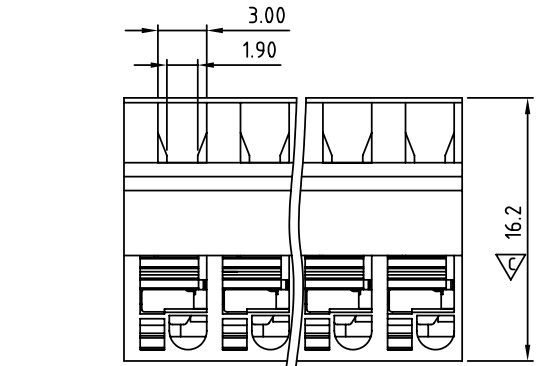
Any special item by customer request, please contact sales department.

ANYTEK

CUSTOMER COPY

ALL RIGHTS RESERVED. REPRODUCTION OR ISSUE TO THIRD PARTIES IN ANY FORM WHATSOEVER IS NOT PERMITTED WITHOUT WRITTEN AUTHORITY FROM THE PROPRIETOR. PROPERTY OF ANYTEK TECHNOLOGY CO., LTD

TITLE		HD-5.08 Series			
PART NO.	HDxx00x0xxxxG	DWG NO.	8HD001		
APPROVED	CHECKED	DESIGNED	DRAWN	CUST NO.	Tolerance
		Da cheng 2012.10.22	Da cheng 2012.10.22		X. ±0.50
					UNIT: mm
				SHEET: 01/01	X.XX ±0.10
				REV.: I	X° ±1°



DIM	TOL				
	2P-5P	6P-12P	13P-16P	17P-24P	
Dim L	Nx5.08+0.5	±0.20	±0.30	±0.40	±0.50
Dim P	(N-1)x5.08	±0.20	±0.30	±0.40	±0.50