


SIGN	DATE	DESCRIPTION	APPROVER
△	01/27`07	The Soldering temperature changed from 245°C to 250°C	Aaron
△	05/05`12	Operating temperature is changed	Runner
△	05/05`12	Lever material is changed	Runner
△	05/05`12	Add the tolerance	Runner

THIS IS CAD DRAWING, DO NOT REVISE MANUALLY!!!

Material

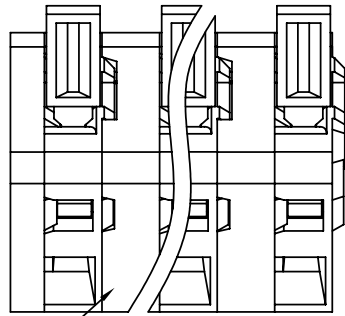
- Item ① Solder Pin(Contact pin) : Brass ,Tin plated
- Item ② Spring clamp : Stainless steel
- Item ③ Terminal cover: Thermoplastic (UL94V-0)
- Item ④ Terminal housing: Thermoplastic (UL94V-0)
- △ ● Item ⑤ Lever: Thermoplastic (UL94 HB)
- Item ⑥ Pad board: Thermoplastic (UL94V-0)

Electrical cULus

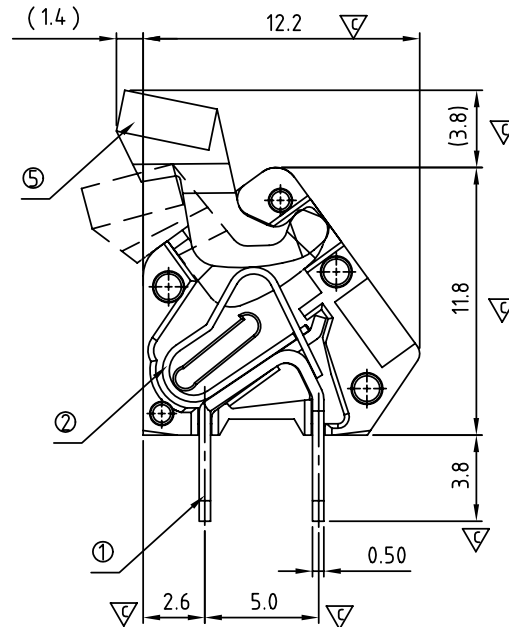
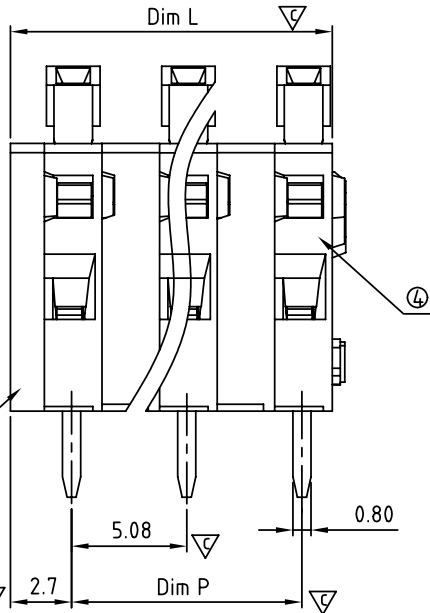
- Voltage rating:150V
- Current rating:4A
- Wire range:
- Solid wire(AWG):22-28
- Stranded wire(AWG):22-28
- Wire strip length:6-7mm
- Withstanding Voltage:1.3KV
- △ ● Operating temperature:-40°C to +115°C
- △ ● Soldering temperature:250°C±10°C/5 Sec
- Safety approval : 
- Critical dimension: ▽

HE xx 20 x 0 0000 G

	0	0000	Standard @ Logo	RoHS compliant
02 2 POLES	0	Black(RAL9005)	0000 Standard @ Logo	RoHS compliant
03 3 POLES	3	Orange(RAL2011/P)	000A Standard ANY Logo	(lead<4%)
... ..	5	Green(RAL6018/T)	Any special item by	In copper Alloy
12 12 POLES	6	Blue(RAL5015/A)	customer request,	
	8	Grey (RAL7004/P)	please contact sales	
			department.	



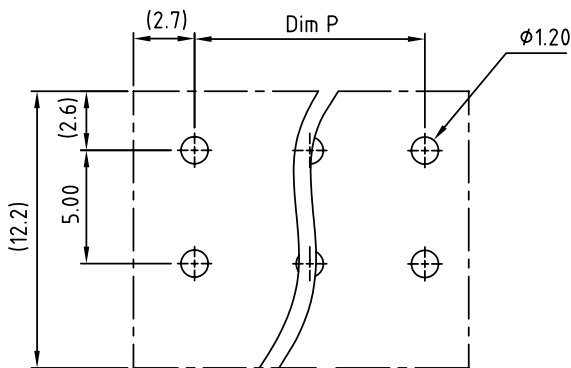
⑥



N=Number of poles



DIM	TOL		
	2P-5P	7P-8P	9P-12P
Dim L	(N-1)X5.08+4.04	±0.20	±0.30
Dim P	(N-1)X5.08	±0.20	±0.40



P.C.B LAYOUT

ANYTEK

CUSTOMER COPY

ALL RIGHTS RESERVED. REPRODUCTION OR ISSUE TO THIRD PARTIES IN ANY FORM WHATSOEVER IS NOT PERMITTED WITHOUT WRITTEN AUTHORITY FROM THE PROPRIETOR. PROPERTY OF ANYTEK TECHNOLOGY CO., LTD

TITLE		HE 5.08 SERIES With lever		
PART NO.	HExx20x00000G	DWG NO.	8HE0301	
APPROVED	CHECKED	DESIGNED	DRAWN	CUST NO.
		Runner 2012.05.05	Marvin 2006.07.03	
				Tolerance
				X. ±0.50
				X.X ±0.30
				X.XX ±0.10
				X° ±1°
SHEET: 01/01				REV.: C