



SIGN	DATE	DESCRIPTION	APPROVER
△	01/27/07	The Soldering temperature changed from 245°C to 250°C	Aaron
△	05/05/12	Operating temperature is changed	Runner
△	05/05/12	Lever material is changed	Runner
△	05/05/12	Add the tolerance	Runner

THIS IS CAD DRAWING, DO NOT REVISE MANUALLY!!!

**Material**

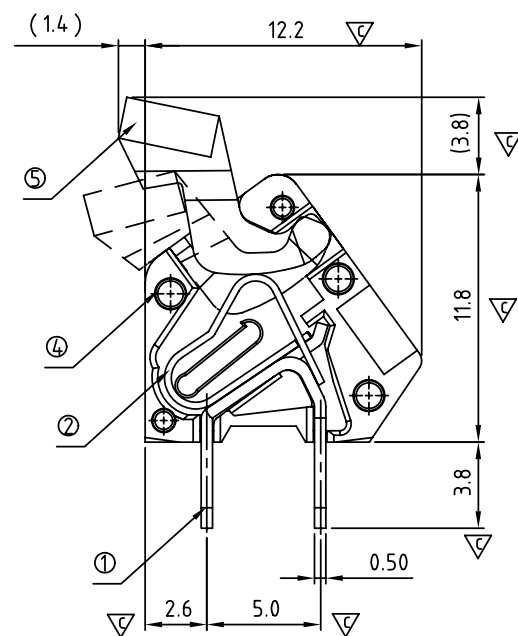
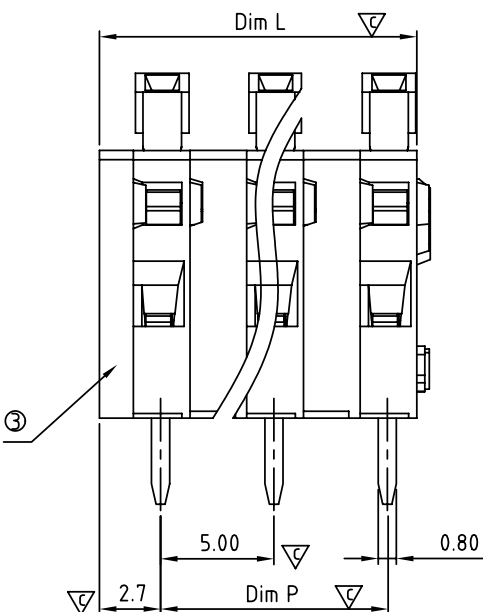
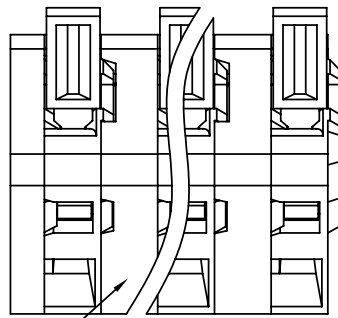
- Item ① Solder Pin(Contact pin) : Brass ,Tin plated
- Item ② Spring clamp : Stainless steel
- Item ③ Terminal cover: Thermoplastic ( UL94V-0 )
- Item ④ Terminal housing: Thermoplastic ( UL94V-0 )
- △ Item ⑤ Lever: Thermoplastic ( UL94 HB )
- Item ⑥ Pad board: Thermoplastic ( UL94V-0 )

**Electrical cULus**

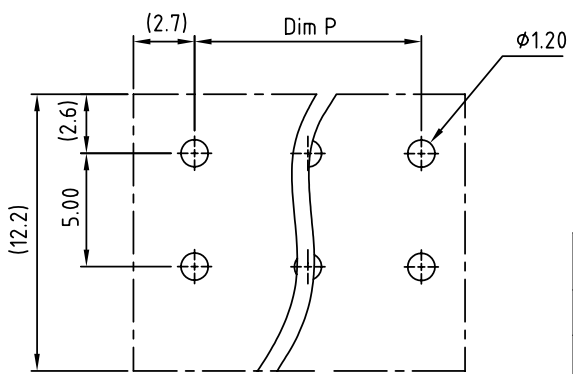
- Voltage rating:150V
- Current rating:4A
- Wire range:
- Solid wire(AWG):22-28
- Stranded wire(AWG):22-28
- Wire strip length:6-7mm
- Withstanding Voltage:1.3KV
- △ ● Operating temperature:-40°C to +115°C
- △ ● Soldering temperature:250°C±10°C/5 Sec
- Safety approval :  US
- Critical dimension: 

HE xx 00 x 0 xxxx G

02 2 POLES	0 Black(RAL9005)	000 0 Standard @ Logo	RoHS compliant
03 3 POLES	4 Orange(RAL2011/P)	000 A Standard ANY Logo	(lead<4%)
...	5 Green(RAL6018/T)	Any special item by customer request,	In copper Alloy
12 12 POLES	6 Blue(RAL5015/A)	please contact sales department.	
	8 Grey (RAL7004/P)		

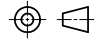


N=Number of poles



P.C.B LAYOUT

DIM	TOL		
	2P-5P	7P-8P	9P-12P
Dim L (N-1)X5.0+4.04	±0.20	±0.30	±0.40
Dim P (N-1)X5.0			

<b>ANYTEK</b>				<b>CUSTOMER COPY</b>			
ALL RIGHTS RESERVED. REPRODUCTION OR ISSUE TO THIRD PARTIES IN ANY FORM WHATSOEVER IS NOT PERMITTED WITHOUT WRITTEN AUTHORITY FROM THE PROPRIETOR. PROPERTY OF ANYTEK TECHNOLOGY CO., LTD							
TITLE		HE 5.0 SERIES With lever		DWG NO.		8HE0201	
PART NO.		HExx00x0xxxxG		CUST NO.			
APPROVED		CHECKED	DESIGNED	DRAWN	Tolerance		
			Runner 2023.05.05	Marvin 2006.07.03			
						UNIT: mm	
				SHEET: 01/01		SCALE: NONE	
				REV.: D		X. ±0.50	
						X.X ±0.30	
						X.XX ±0.10	
						X° ±1°	