

SIGN	DATE	DESCRIPTION	APPROVER
△	01/26'07	The Soldering temperature from 245° to 250°	Aaron
△	01/26'07	Add "VDE" stipulation	Aaron
△	9/16'08	Add "CQC" Safety Approval Logo	Tony
△	9/16'08	Wire strip length changed from 6-7mm to 9-10mm	Tony
△	9/16'08	Operating temperature changed (-40°C to +115°C)	Tony
△	2/9'09	Add "TUV" Safety Approval	Tony
△	4/27'10	Electrical and Structure changed	Runner
△	6/02'10	Structure changed	Cheng Bo
△	12/25'10	How to order is changed	Runner
△	05/21'11	Add explanation of the material	Runner
△	6/14'12	Plastic core material reduced	Guoxue

THIS IS CAD DRAWING, DO NOT REVISE MANUALLY!!

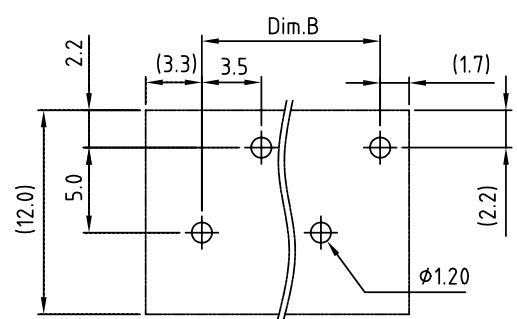
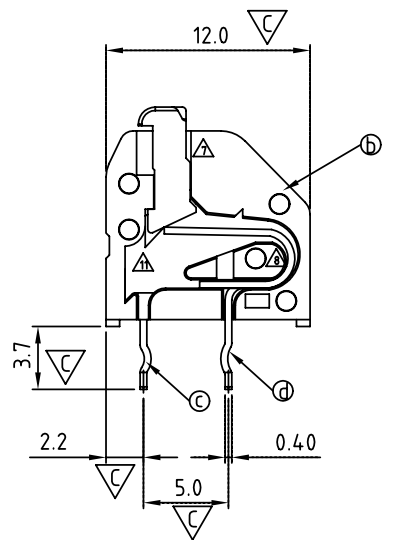
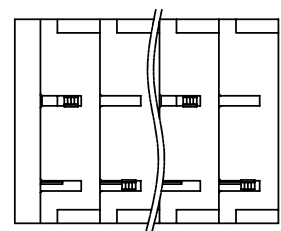
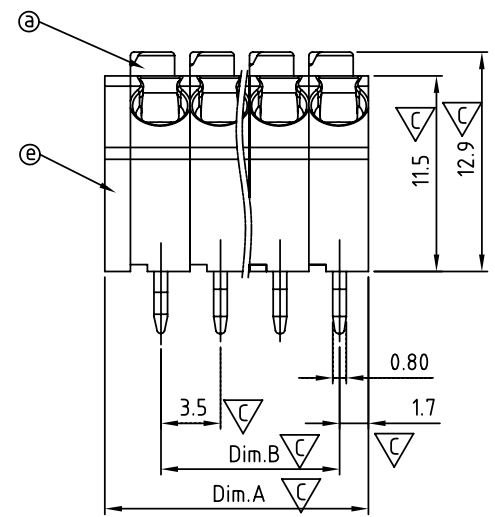
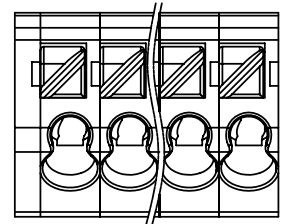
Material:

- Item ③ Insulator(lever): PA66 (UL94V-0)
 - Item ④ Insulator(housing): PA66 (UL94V-0)
 - Item ① Side contact pin: PhBz (C5210 SH), Tin plated.
 - Item ② Center contact pin: PhBz (C5210 SH), Tin plated.
 - Item ⑤ Side Cover : PA66 (UL94V-0)
- △ △ Electrical:
- | | cULus | VDE | CQC | TUV |
|----------------------------|-------------------|--------------------------|--------|-------------------------|
| ● Voltage rating: | 300V | 130V | 300V | 500V |
| ● Current rating: | 6A | 6A | 6A | 8A |
| ● Wire range: | | 0.5-0.75 mm ² | | 0.5-1.5 mm ² |
| ● Solid wire(AWG): | 16-22 | | 20 | |
| ● Stranded wire(AWG): | 16-22 | | 20 | |
| △ ● Wire strip length: | 8.5-10.0mm | | | |
| ● Withstanding Voltage: | 1.6KV | 1.25KV | 2.5 KV | 4KV |
| △ ● Operating temperature: | -40°C to +115°C | | | |
| △ ● Soldering temperature: | 250°C ±10°C/5 Sec | | | |
| △ △ ● Safety Approval: | | | | |
- Critical dimension: HC xx 00 x 0 xxxxx G

No. OF POLES
02: 2 POLES
24: 24 POLES

COLOR
0: BLACK
5: GREEN
6: BLUE
8: GREY

RoHS compliant (lead<4%)
In copper Alloy (Standard)
0000:"@ "Logo
000A:"ANYTEK" Logo
Any special item by customer request, please contact sales department.



P.C.B Layout

POLE	2	3	4	5	6	7	8	9	10	11	12	
Dim.A	8.50	12.00	15.50	19.00	22.50	26.00	29.50	33.00	36.50	40.00	43.50	
Dim.B	3.50	7.00	10.50	14.00	17.50	21.00	24.50	28.00	31.50	35.00	38.50	
Tol.	±0.10						±0.15					
POLE	13	14	15	16	17	18	19	20	21	22	23	24
Dim.A	47.00	50.50	54.00	57.50	61.00	64.50	68.00	71.50	75.50	78.50	82.00	85.50
Dim.B	42.00	45.50	49.00	52.50	56.00	59.50	63.00	66.50	70.00	73.50	77.00	80.50
Tol.	±0.20						±0.30					

ANYTEK

ALL RIGHTS RESERVED. REPRODUCTION OR ISSUE TO THIRD PARTIES IN ANY FORM WHATSOEVER IS NOT PERMITTED WITHOUT WRITTEN AUTHORITY FROM THE PROPRIETOR. PROPERTY OF ANYTEK TECHNOLOGY CO., LTD

TITLE				HC 3.5 mm Series (Double row center contact link together with end cover)			
PART NO.		HCxx00x0xxxxG		DWG NO.		8HC0002	
APPROVED	CHECKED	DESIGNED	DRAWN	CUST NO.		Tolerance	
		Runner	Guoxue			UNIT: mm	X. ±0.50
		2012.06.18	2012.06.18			SCALE: NONE	X.X ±0.30
SHEET: 01/01				REV.: L		X.XX ±0.10	X° ±1°