


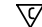
SIGN	DATE	DESCRIPTION	APPROVER
△	02/27'07	Part No. is changed.	Aaron
△	10/13'11	Operating temperature is changed	ChenMing
△	10/13'11	Remove the "VDE" mark	ChenMing
△	10/13'11	The dimension is changed from 22.85 to 22.85±0.25	ChenMing
△	10/13'11	The dimension is changed from 18.29 to 18.3	ChenMing
△	10/13'11	The dimension is changed from 10.29 to 10.3±0.20	ChenMing

THIS IS CAD DRAWING, DO NOT REVISE MANUALLY!!!

Material

- Item 1 Insulating body Thermoplastic (UL94V-0)
- Item 2 Contacts PIN PhBz(CuSn) Tin plated

Electrical cULus

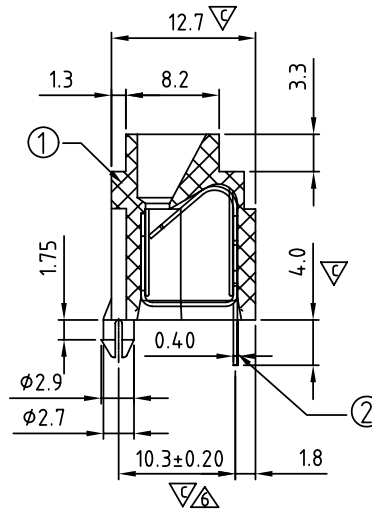
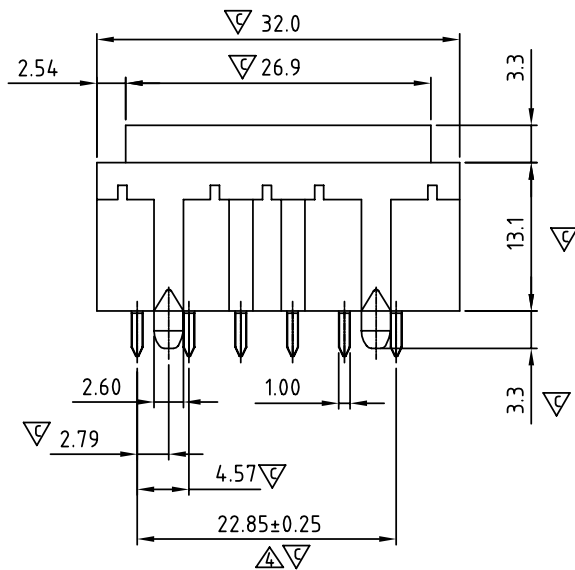
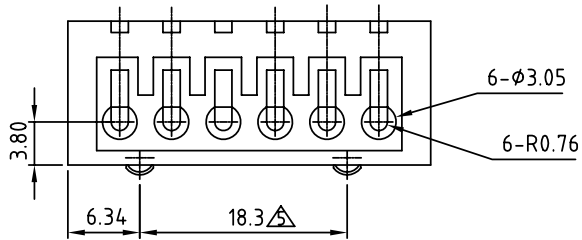
- Voltage rating: 300VAC
- Current rating: 2A
- Solid wire(AWG): 18
- Stranded wire(AWG): 18
- Wire strip length: 6-7mm
- Withstanding Voltage: 1.6KV
- △ ● Operating temperature: -40°C to +115°C
- Soldering temperature: 250°C±10°C/5 Sec
- △ ● Safety Approval: 
- Critical dimension: 

△ TN 06 1 x 00 xxxx G

0 Black
9 White

RoHS compliant
(lead<4%)
In copper Alloy

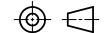
0000 Standard @ Logo
000A Standard ANY Logo
Any special item by
customer request,
please contact sales
department.



ANYTEK

CUSTOMER COPY

ALL RIGHTS RESERVED. REPRODUCTION OR ISSUE TO THIRD PARTIES IN ANY FORM WHATSOEVER IS NOT PERMITTED WITHOUT WRITTEN AUTHORITY FROM THE PROPRIETOR. PROPERTY OF ANYTEK TECHNOLOGY CO., LTD

TITLE		TN-4.57mm Series 6P Without cover			
PART NO.		TN061X00XXXXG		DWG NO.	8TN0001
APPROVED	CHECKED	DESIGNED	DRAWN	CUST NO.	Tolerance
			ChenMing 2011.10.13		X. ±0.50 X.X ±0.30 X.XX ±0.10 X° ±1°
				SHEET: 01/01	REV.: D


SIGN	DATE	DESCRIPTION	APPROVER
△	08/12/11	Remove "VDE" & Add the P.C.B Layout	Runner

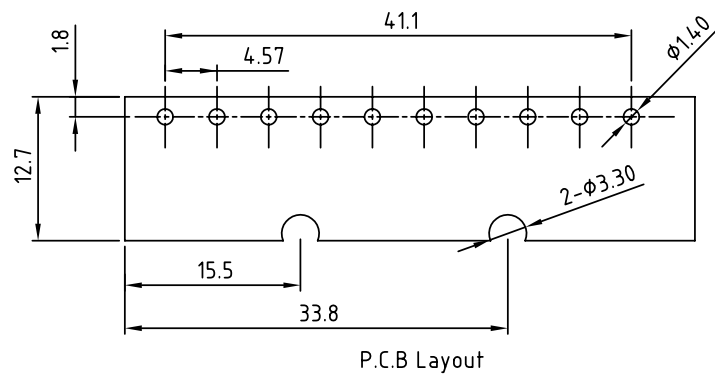
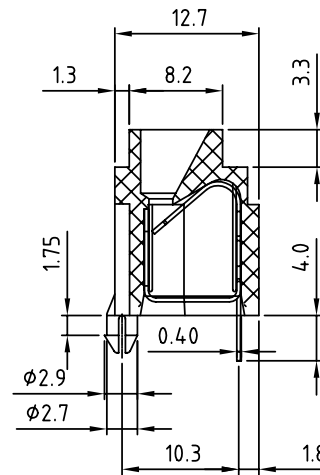
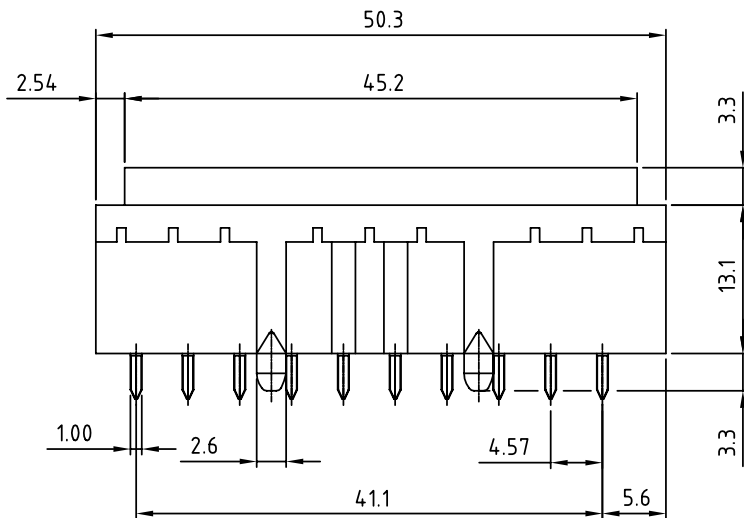
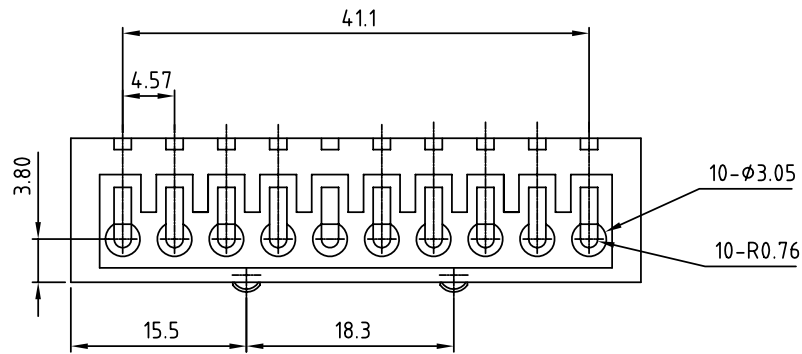
THIS IS CAD DRAWING, DO NOT REVISE MANUALLY!!!

Material

- Terminal body (Contact pin): PhBz
- Surface of solder tail: Tin plated
- Insulator (housing): Thermoplastic (UL94V-0)

△ Electrical cULus

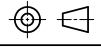
- Voltage rating: 300VAC
- Current rating: 2A
- Wire range:
 - Solid wire(AWG): 18
 - Stranded wire(AWG): 18
- Wire strip length: 6-7mm
- Withstanding Voltage: 1.6KV
- Operating temperature: -40°C to +115°C
- Soldering temperature: 250°C±10°C/5 Sec
- Safety Approval: 



ANYTEK

CUSTOMER COPY

ALL RIGHTS RESERVED. REPRODUCTION OR ISSUE TO THIRD PARTIES IN ANY FORM WHATSOEVER IS NOT PERMITTED WITHOUT WRITTEN AUTHORITY FROM THE PROPRIETOR. PROPERTY OF ANYTEK TECHNOLOGY CO., LTD



TITLE		TN-4.57mm Series 10P W/o cover			DWG NO.		8TN0004	
PART NO.		TN1019000000G			DWG NO.		8TN0004	
APPROVED	CHECKED	DESIGNED	DRAWN	CUST NO.		Tolerance		
		Runner	Marvin			UNIT: mm	X.	±0.50
		2011.08.16	2006.08.21			SCALE: NONE	X.X	±0.30
				SHEET: 01/01		REV.: B2	X.XX	±0.10
							X°	±1°

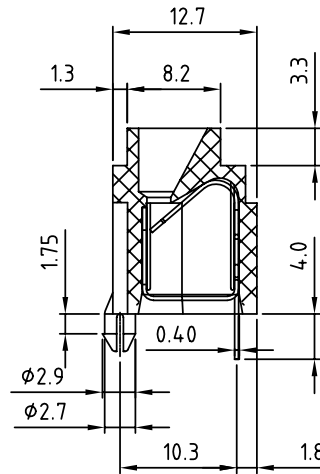
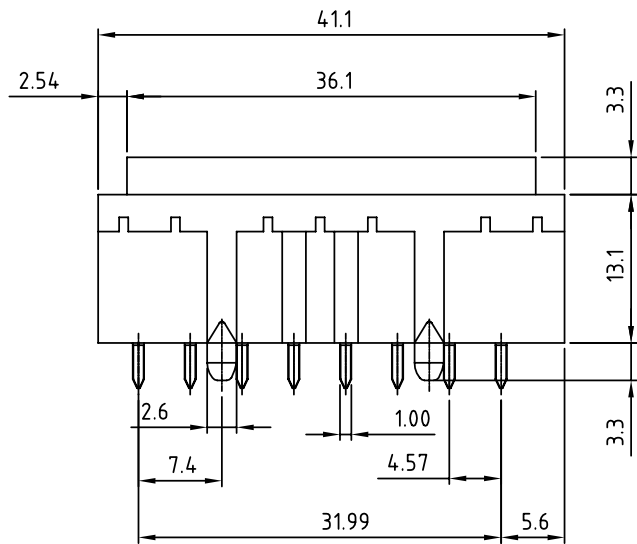
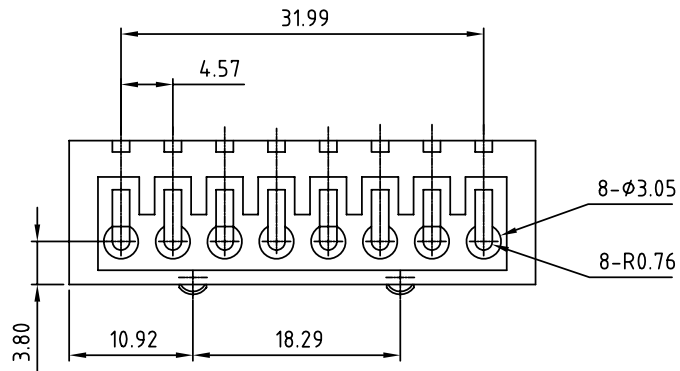
SIGN	DATE	DESCRIPTION	APPROVER
THIS IS CAD DRAWING, DO NOT REVISE MANUALLY!!!			

Material

- Terminal body (Contact pin): PhBz
- Surface of solder tail: Tin plated
- Insulator (housing): Thermoplastic (UL94V-0)

Electrical cULus/VDE

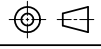
- Voltage rating: 300VAC/250VAC
- Current rating: 2A/2A
- Wire range: 0.5-0.75mm²
- Solid wire(AWG): 18
- Stranded wire(AWG): 18
- Wire strip length: 6-7mm
- Withstanding Voltage: 1.6KV/2KV
- Operating temperature: -30°C to +105°C
- Soldering temperature: 250°C±10°C/5 Sec
- Safety Approval:  

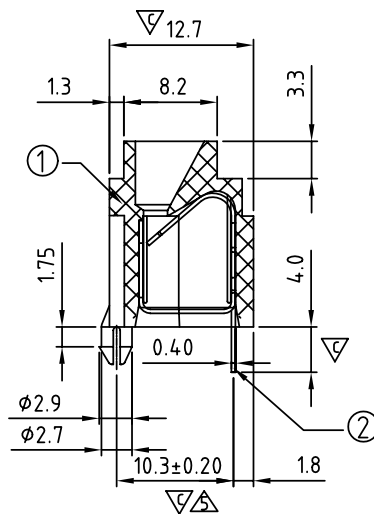
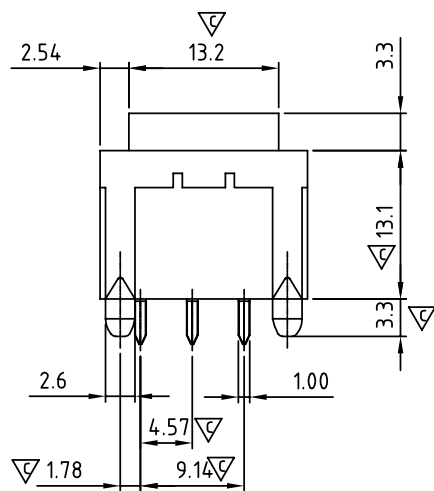
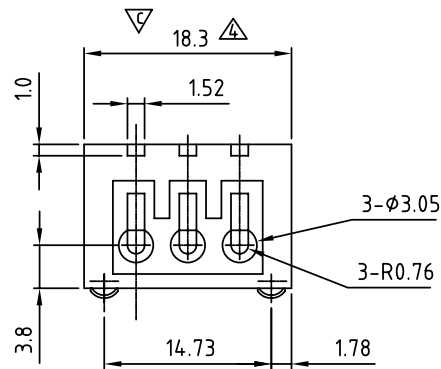


ANYTEK

CUSTOMER COPY

ALL RIGHTS RESERVED. REPRODUCTION OR ISSUE TO THIRD PARTIES IN ANY FORM WHATSOEVER IS NOT PERMITTED WITHOUT WRITTEN AUTHORITY FROM THE PROPRIETOR. PROPERTY OF ANYTEK TECHNOLOGY CO., LTD

TITLE	TN-4.57mm Series 8P W/o cover			DWG NO.	8TN0003	
PART NO.	TN0819000000G			CUST NO.		
APPROVED	CHECKED	DESIGNED	DRAWN			Tolerance
	Marvin 2008.03.13	Marvin 2006.08.21	Marvin 2006.08.21			X. ±0.50
						UNIT: mm
				SHEET: 01/01		X.XX ±0.10
				REV.: B		X° ±1°



SIGN	DATE	DESCRIPTION	APPROVER
△	02/27/07	Part No. is changed.	Aaron
△	10/13'11	Operating temperature is changed	ChenMing
△	10/13'11	Remove the "VDE" mark	ChenMing
△	10/13'11	The dimension is changed from 18.29 to 18.3	ChenMing
△	10/13'11	The dimension is changed from 10.3 to 10.3±0.20	ChenMing

THIS IS CAD DRAWING, DO NOT REVISE MANUALLY!!!

Material

- Item 1 Insulating body Thermoplastic (UL94V-0)
- Item 2 Contacts PIN PhBz(CuSn) Tin plated

Electrical cULus

- Voltage rating: 300VAC
- Current rating: 2A
- Solid wire(AWG): 18
- Stranded wire(AWG): 18
- Wire strip length: 6-7mm
- Withstanding Voltage: 1.6KV
- △ ● Operating temperature: -40°C to +115°C
- Soldering temperature: 250°C±10°C/5 Sec
- △ ● Safety Approval:
- Critical dimension: ∇

△ TN 03 1 x 0 0 xxxx G

0 Black
9 White

RoHS compliant
(lead<4%)
In copper Alloy

0000 Standard @ Logo
000A Standard ANY Logo
Any special item by
customer request,
please contact sales
department.

ANYTEK

CUSTOMER COPY

ALL RIGHTS RESERVED. REPRODUCTION OR ISSUE TO THIRD PARTIES IN ANY FORM WHATSOEVER IS NOT PERMITTED WITHOUT WRITTEN AUTHORITY FROM THE PROPRIETOR. PROPERTY OF ANYTEK TECHNOLOGY CO., LTD

TITLE				TN-4.57mm Series 3P Without cover			
PART NO.		TN031X00XXXXG		DWG NO.		8TN0002	
APPROVED	CHECKED	DESIGNED	DRAWN	CUST NO.		Tolerance	
			ChenMing 2011.10.13			UNIT: mm	
						SCALE: NONE	
				SHEET: 01/01		REV.: D	
						X.X ±0.30	
						X.XX ±0.10	
						X° ±1°	