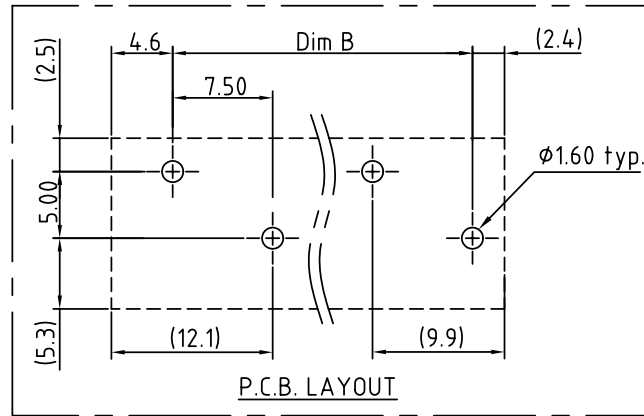
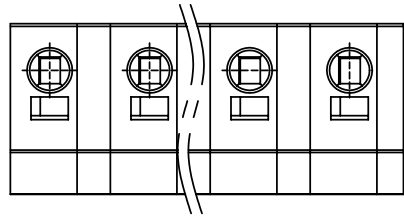


SIGN	DATE	DESCRIPTION	APPROVER
△	3/26'09	modify specification	JODY

THIS IS CAD DRAWING, DO NOT REVISE MANUALLY!!!

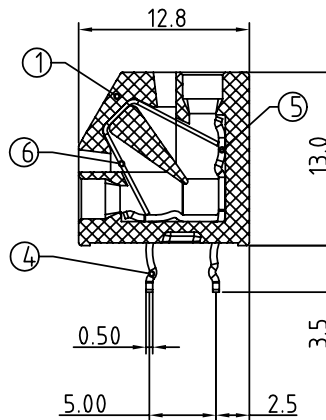
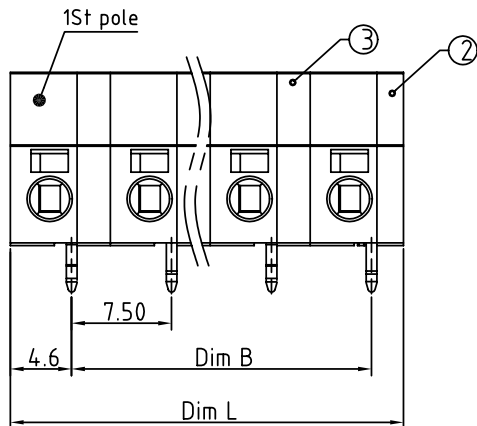


Material

- Item 1 Insulating body Thermoplastic (UL94V-0)
- Item 2 Insulating cover Thermoplastic (UL94V-0)
- Item 3 Insulating partition Thermoplastic (UL94V-0)
- Item 4 Contact on entry pin Brass, Tin plated
- Item 5 Contact on back pin Brass, Tin plated
- Item 6 Spring clamp Stainless steel

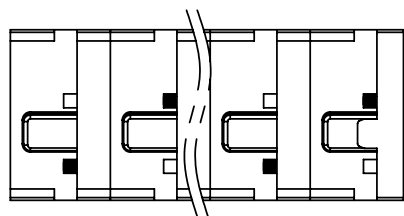
△ Electrical

- Voltage rating: 300VAC
- Current rating: 8A
- Wire range:
 - Solid wire(AWG): 16-20
 - Stranded wire(AWG): 16-20
- Wire strip length: 7-8mm
- Withstanding Voltage: 1.6KV
- Operating temperature: -40°C to +115°C
- Soldering temperature: 250°C±10°C/5 Sec
- Safety Approval: us



H7 xx 10 x 3 xxxx G

- | | | | |
|----------------|-----------------------|---------------------------------------|--------------|
| 02 2 CONTACTS | 0: BLACK | 0000 Standard @ Logo | RoHS |
| 03 3 CONTACTS | 5: GREEN (RAL 6018/T) | 000A Standard ANY Logo | Pb<40,000ppm |
| ... | 8: GREY (RAL 7004/P) | Any special item by customer request, | |
| 16 16 CONTACTS | C: Multiple colors | please contact sales department. | |



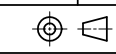
Poles	02	03	04	05	06	07	08	09
Dim L	14.50	22.00	29.50	37.00	44.50	52.00	59.50	67.00
Dim B	7.50	15.00	22.50	30.00	37.50	45.00	52.50	60.00
TOL	±0.20							
Poles	10	11	12	13	14	15	16	
Dim L	74.50	82.00	89.50	97.00	104.50	112.00	119.50	
Dim B	67.50	75.00	82.50	90.00	97.50	105.00	112.50	
TOL	±0.30							

ANYTEK

CUSTOMER COPY

ALL RIGHTS RESERVED. REPRODUCTION OR ISSUE TO THIRD PARTIES IN ANY FORM WHATSOEVER IS NOT PERMITTED WITHOUT WRITTEN AUTHORITY FROM THE PROPRIETOR. PROPERTY OF ANYTEK TECHNOLOGY CO., LTD

TITLE	H7 7.5 Series Double row the 1st pole with side contact						
PART NO.	H7xx10x3xxxxG			DWG NO.	8H70010		
APPROVED	CHECKED	DESIGNED	DRAWN	CUST NO.	Tolerance		
		JODY 2009.03.26	JODY 2009.03.26		X. ±0.50		
					X.X ±0.30		
					X.XX ±0.10		
					X* ±1*		



UNIT: mm
SCALE: NONE
REV.: C

SHEET: 01/01