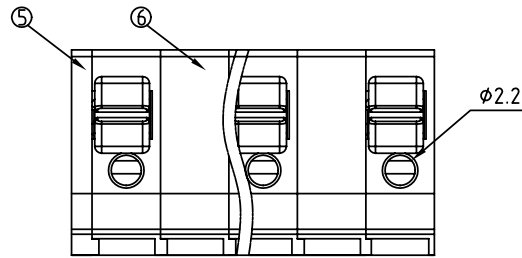


SIGN	DATE	DESCRIPTION	APPROVER
△	08/13'12	structure design is changed	Dacheng
△	08/25'12	Changed from 250°C±10°/5 Sec to 260°C±5°/5 Sec	Dacheng

THIS IS CAD DRAWING, DO NOT REVISE MANUALLY!!!



Material:

- Item ① Terminal lever: Thermoplastic (UL94V-0)
- Item ② Terminal housing: Thermoplastic (UL94V-0)
- Item ③ Spring clamp: Stainless steel
- Item ④ Solder pin: Brass. Tin plated
- Item ⑤ Terminal cover: Thermoplastic (UL94V-0)
- Item ⑥ Terminal pad board : Thermoplastic (UL94V-0)

Electrical:

- cULus
- Voltage rating: 300 V
 - Current rating: 11 A
 - Wire range:
 - Solid wire(AWG): 12-20
 - Stranded wire(AWG): 12-20
 - Wire strip length: 10-11 mm
 - Withstanding Voltage: 1.6KV
 - Operating temperature: -40°C to +115°C
 - Soldering temperature: 260°C ±5°C/5 Sec
 - Safety Approval:
 - Critical dimension: ▽

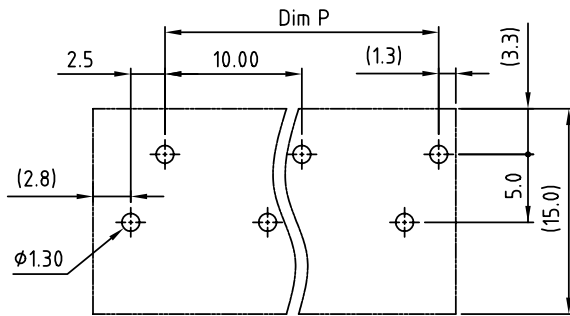
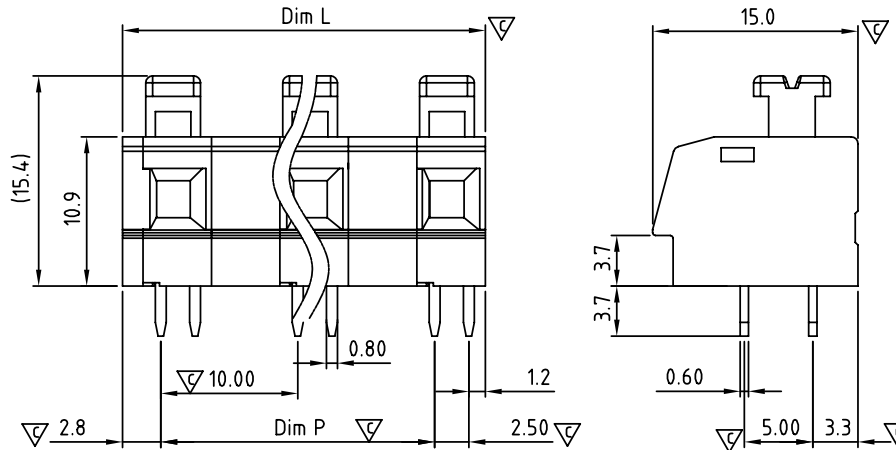
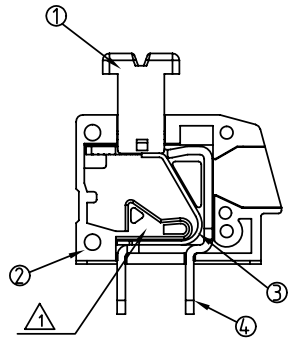
H6 xx 2 0 x 0 xxxx G

No. OF POLES
02: 2 POLES
:
12: 12 POLES

G: RoHs compliant
(lead<4%)
In copper Alloy

COLOR
0: BLACK
5: GREEN (RAL 6018/T)
6: BLUE
8: GREY (RAL 7004/P)

1000: "@ " Logo (Standard)
100A: "ANYTEK" Mark
Any special item by
customer request.
please contact sales
department.



PCB Layout

N = Number of poles
Dim L=(N-1)x10.0+6.5
Dim P=(N-1)x10.0

	Dim L	Dim P
2-6p	±0.25	
7-12p	±0.40	

ANYTEK

CUSTOMER COPY

ALL RIGHTS RESERVED. REPRODUCTION OR ISSUE TO THIRD PARTIES IN ANY FORM WHATSOEVER IS NOT PERMITTED WITHOUT WRITTEN AUTHORITY FROM THE PROPRIETOR. PROPERTY OF ANYTEK TECHNOLOGY CO., LTD

TITLE		H6 10.0mm Series (Square hole)		DWG NO.		8H60305	
PART NO.		H6xx20x0xxxxG		CUST NO.			
APPROVED	CHECKED	DESIGNED	DRAWN			Tolerance	
		Dacheng	Dacheng			X.	±0.50
		2012.08.25	2012.08.25			X.X	±0.30
						X.XX	±0.10
						X°	±1°