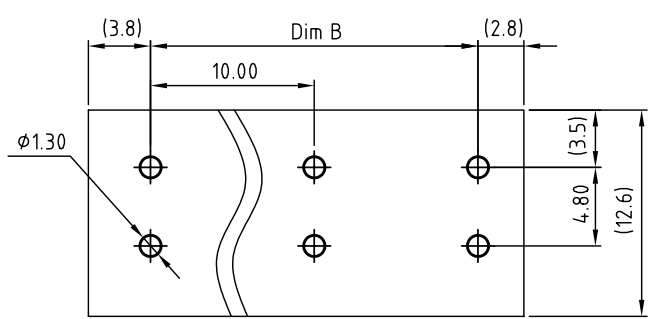
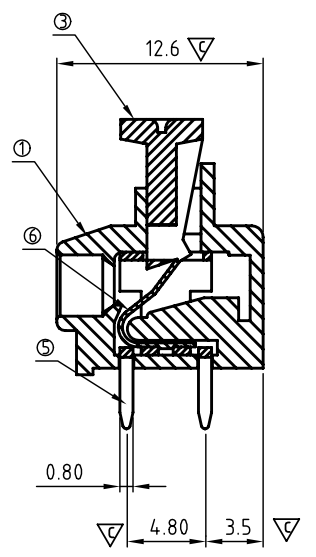
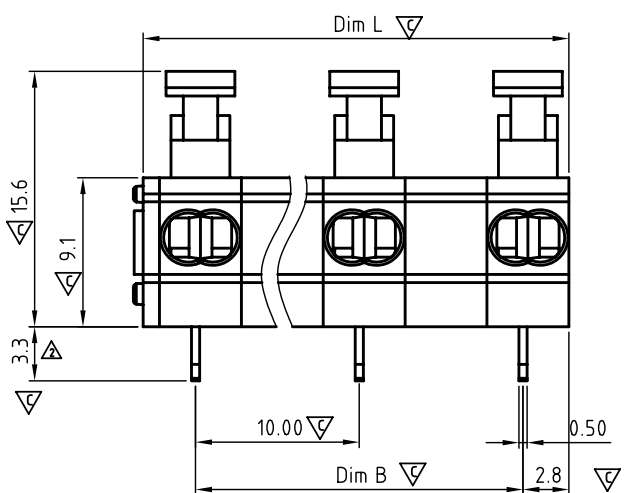
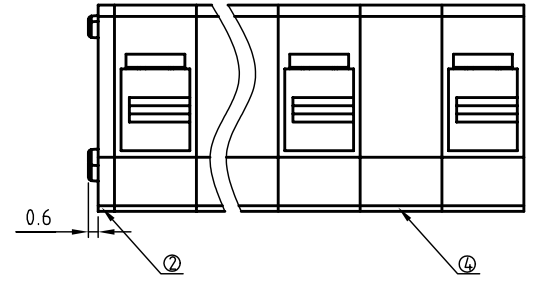


SIGN	DATE	DESCRIPTION	APPROVER
△	01/24/07	The Soldering temperature from 245° to 250°	Aaron
△	01/02'13	change the electrical specification and the dimension from 3.6 to 3.3	Da cheng
THIS IS CAD DRAWING, DO NOT REVISE MANUALLY!!!			



△ P.C.B. LAYOUT
Top view

△ N=NUMBER OF POLES

Dim L	(N-1)×10.0+6.0
Dim B	(N-1)×10.0

	Dim L	Dim B
2-4p	±0.25	±0.15
5-8p	±0.35	±0.25
9-12p	±0.45	±0.40

△ Material

- Item 1 Insulating body Thermoplastic (UL94V-0)
- Item 2 Insulating cover Thermoplastic (UL94V-0)
- Item 3 Insulating lever Thermoplastic (UL94V-0) Natural color
- Item 4 Insulating partition Thermoplastic (UL94V-0)
- Item 5 Contact pin Brass, Tin plated
- Item 6 Spring clamp Stainless steel

△ Electrical

- Voltage rating: 300VAC
- Current rating: 10A
- Wire range:
- Solid wire: 2×AWG 18-24
- Stranded wire: 2×AWG 18-24
- Pull force:
- Screw:
- Wire strip length: 9-10mm
- Withstanding Voltage: 1.6KV
- Operating temperature: -40°C to +115°C
- Soldering temperature: 260°C±5°C/5 Sec

△ Safety Approval:

- Critical dimension: ▽

HB x x 12 x 0 xxxx G

- No. OF POLES
- 02: 2 POLES
- 03: 3 POLES
- :
- :
- 12: 12 POLES

- △ Body Color
- 0 Black (RAL9005)
 - 2 Red (RAL3001/D)
 - 3 Orange (RAL2011/P)
 - 4 Yellow (RAL1018/A)
 - 5 Green (RAL6018/T)
 - 6 Blue (RAL5015/A)
 - 8 Grey (RAL7004/P)
 - 9 White (RAL1102)
 - C Multiple colors

△ RoHs compliant (lead<4%)
In copper Alloy

000 0 Standard @ Logo
000 A Standard ANY Logo
Any special item by customer request, please contact sales department.

ANYTEK

CUSTOMER COPY

ALL RIGHTS RESERVED. REPRODUCTION OR ISSUE TO THIRD PARTIES IN ANY FORM WHATSOEVER IS NOT PERMITTED WITHOUT WRITTEN AUTHORITY FROM THE PROPRIETOR. PROPERTY OF ANYTEK TECHNOLOGY CO., LTD

TITLE		HB -10.0mm Series (Double wire)			
PART NO.	HBxx12x0xxxxG	DWG NO.	8HB0202		
APPROVED	CHECKED	DESIGNED	DRAWN	CUST NO.	Tolerance
		Da cheng 2013.01.02	Da cheng 2013.01.02		X. ±0.50 X.X ±0.30 X.XX ±0.10 X° ±1°
				SHEET: 01/01	UNIT: mm SCALE: NONE REV.: D