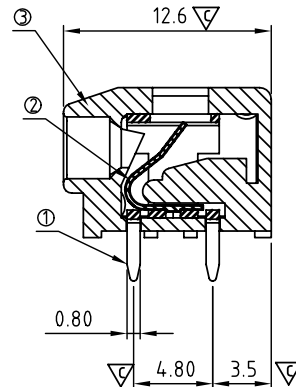
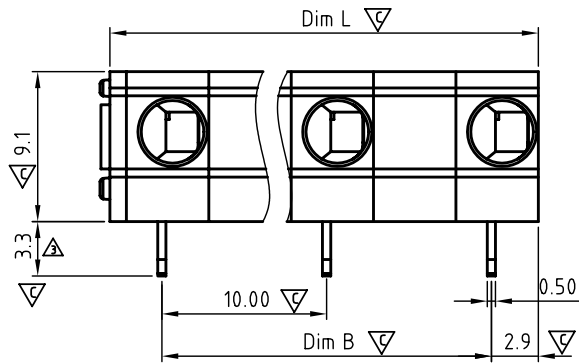
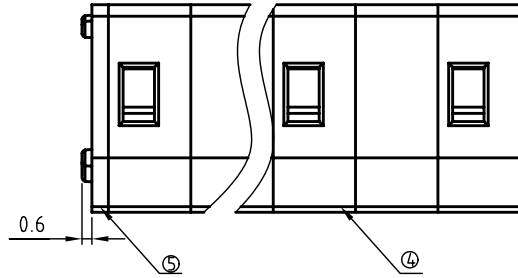


SIGN	DATE	DESCRIPTION	APPROVER
△	01/24'07	The Soldering temperature from 245° to 250°	Aaron
△	01/24'07	Add "VDE" stipulation	Aaron
△	01/02'13	change the electrical specification and the dimension from 3.6 to 3.3	Da cheng

THIS IS CAD DRAWING, DO NOT REVISE MANUALLY!!!



△ Material

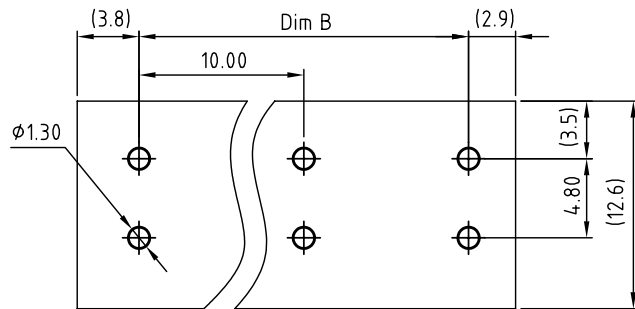
- Item ① Contact pin : Brass.Tin plated
- Item ② Wire guard: Stainless steel
- Item ③ Insulator body: Thermoplastic (UL94V-0)
- Item ④ Pad board: Thermoplastic (UL94V-0)
- Item ⑤ Insulating cover :Thermoplastic (UL94V-0)

△ Electrica cULus VDE △

- Voltage rating: 300VAC 450VAC
- Current rating: 10A 6A
- Wire range: 0.5mm²
- Solid wire(AWG): 14-20
- Stranded wire(AWG): 14-20
- Wire strip length: 9-10mm
- Withstanding Voltage: 1.6KV 2.5KV
- Operating temperature: -40°C to +115°C
- Soldering temperature: 260°C±5°C/5 Sec
- Safety Approval:
- Critical dimension:

HBxx11x1xxxxG

- △ RoHs compliant (lead<4%) In copper Alloy
- No. OF POLES: 02: 2 POLES, 03: 3 POLES, : , 12: 12 POLES
- △ Color: 0 Black (RAL9005), 2 Red (RAL3001/D), 3 Orange(RAL2011/P), 4 Yellow(RAL1018/A), 5 Green(RAL6018/T), 6 Blue (RAL5015/A), 8 Grey(RAL7004/P), 9 White(RAL1102), C Multiple colors
- 000 0 Standard @ Logo, 000 A Standard ANY Logo, Any special item by customer request, please contact sales department.



△ P.C.B. LAYOUT Top view

△ N=NUMBER OF POLES

	Dim L	Dim B
Dim L	(N-1)×10.0+6.0	
Dim B	(N-1)×10.0	
	Dim L	Dim B
2-4p	±0.25	±0.15
5-8p	±0.35	±0.25
9-12p	±0.45	±0.40

ANYTEK		CUSTOMER COPY		ALL RIGHTS RESERVED. REPRODUCTION OR ISSUE TO THIRD PARTIES IN ANY FORM WHATSOEVER IS NOT PERMITTED WITHOUT WRITTEN AUTHORITY FROM THE PROPRIETOR. PROPERTY OF ANYTEK TECHNOLOGY CO., LTD	
				TITLE: HB - 10.0mm Series (single wire w/o lever)	
PART NO.	HBxx11x1xxxxG	DWG NO.	8HB0203		
APPROVED	CHECKED	DESIGNED	DRAWN	CUST NO.	Tolerance
		Da cheng 2013.01.02	Da cheng 2013.01.02		X. ±0.50 X.X ±0.30 X.XX ±0.10 X° ±1°
				SHEET: 01/01	REV.: F