

SIGN	DATE	DESCRIPTION	APPROVER
△	01/24'07	The Soldering temperature from 245° to 250°	Aaron
△	01/24'07	Add "VDE" stipulation	Aaron
△	01/02'13	change the electrical specification and the dimension from 3.6 to 3.3	Da cheng

THIS IS CAD DRAWING, DO NOT REVISE MANUALLY!!!

△ Material

- Item ① Contact pin : Brass.Tin plated
- Item ② Wire guard: Stainless steel
- Item ③ Insulator body: Thermoplastic (UL94V-0)
- Item ④ Insulator lever: Thermoplastic (UL94V-0) Natural color
- Item ⑤ Pad board: Thermoplastic (UL94V-0)
- Item ⑥ Insulating cover :Thermoplastic (UL94V-0)

△ Electrical cULus VDE △

- Voltage rating: 300VAC 450VAC
- Current rating: 10A 6A
- Wire range: 0.5mm²
- Solid wire(AWG): 14-20
- Stranded wire(AWG): 14-20
- Wire strip length: 9-10mm
- Withstanding Voltage: 1.6KV 2.5KV
- Operating temperature: -40°C to +115°C
- Soldering temperature: 260°C±5°C/5 Sec
- Safety Approval:
- Critical dimension:

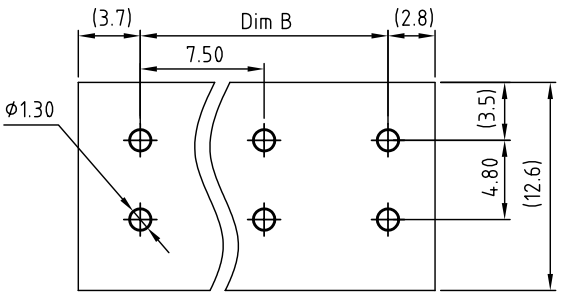
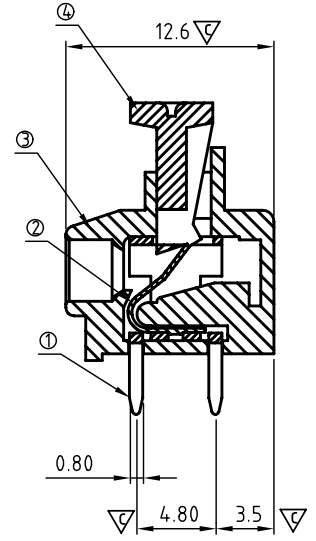
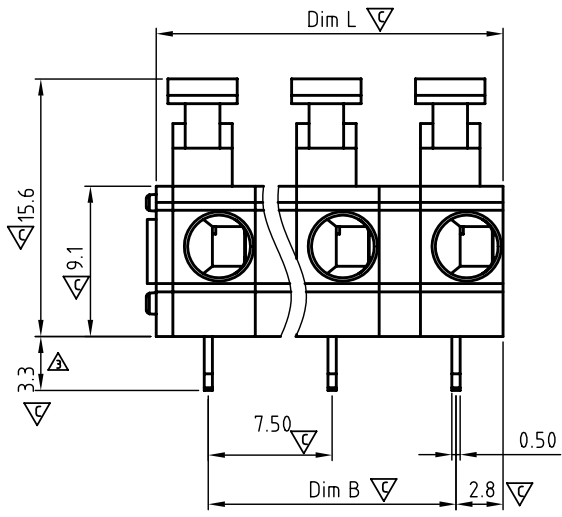
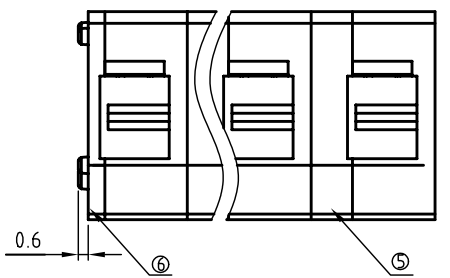
HB xx 21 x 0 xxxx G

- Poles
- 02 2 Poles
 - 03 3Poles
 - 16 16Poles

- Body Color △
- 0 Black (RAL9005)
 - 2 Red (RAL3001/D)
 - 3 Orange(RAL2011/P)
 - 4 Yellow(RAL1018/A)
 - 5 Green(RAL6018/T)
 - 6 Blue (RAL5015/A)
 - 8 Grey(RAL7004/P)
 - 9 White(RAL1102)
 - C Multiple colors

△ RoHs compliant (lead<4%) In copper Alloy

000 0 Standard @ Logo
000 A Standard ANY Logo
Any special item by customer request, please contact sales department.



△ P.C.B. LAYOUT
Top view

△ N=NUMBER OF POLES

Dim L	(N-1)×7.5+6.0
Dim B	(N-1)×7.5

	Dim L	Dim B
2-4p	±0.2	±0.15
5-8p	±0.3	±0.25
9-12p	±0.4	±0.35
13-16p	±0.45	±0.4

ANYTEK

CUSTOMER COPY

ALL RIGHTS RESERVED. REPRODUCTION OR ISSUE TO THIRD PARTIES IN ANY FORM WHATSOEVER IS NOT PERMITTED WITHOUT WRITTEN AUTHORITY FROM THE PROPRIETOR. PROPERTY OF ANYTEK TECHNOLOGY CO., LTD

TITLE	HB - 7.5mm Series (Single wire)			DWG NO.	8HB0101	
PART NO.	HBxx21x0xxxxG			CUST NO.		
APPROVED	CHECKED	DESIGNED	DRAWN			Tolerance
		Da cheng 2013.01.02	Da cheng 2013.01.02			X. ±0.50
					UNIT: mm	X.X ±0.30
					SHEET: 01/01	SCALE: NONE
					REV: F	X° ±1°