

N=NUMBER OF POLES

Dim L	$N \times 5.0 + 1.00$
Dim B	$(N-1) \times 5.0$

POLES	Dim L	Dim B
1p	± 0.1	
2p-6p	± 0.2	± 0.15
7p-12p	± 0.3	± 0.25
13p-18p	± 0.4	± 0.35
19p-24p	± 0.45	± 0.4

SIGN	DATE	DESCRIPTION	APPROVER
△	01/24/07	The Soldering temperature from 245° to 250°	Aaron
△	01/02/13	change the electrical specification and the dimension from 3.6 to 3.3	Da cheng

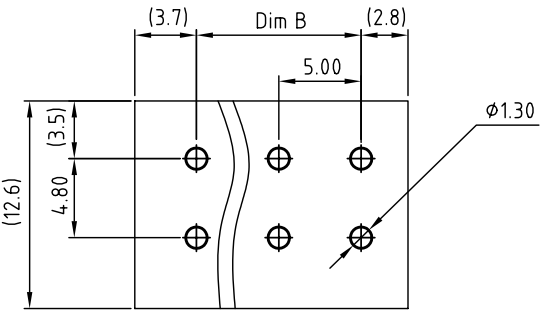
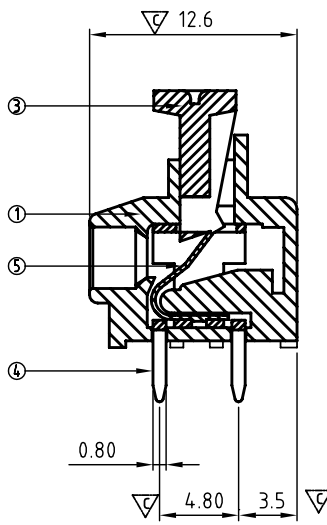
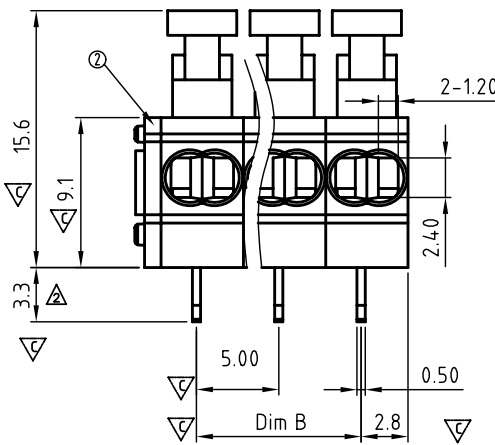
THIS IS CAD DRAWING, DO NOT REVISE MANUALLY!!!

Material

- Item 1 Insulating body Thermoplastic (UL94V-0)
- Item 2 Insulating cover Thermoplastic (UL94V-0)
- Item 3 Insulating lever Thermoplastic (UL94V-0) Natural color
- Item 4 Contact pin Brass, Tin plated
- Item 5 Spring clamp Stainless steel

Electrical

- Voltage rating: 300VAC
- Current rating: 10A
- Wire range:
 - Solid wire: 2xAWG 18-24
 - Stranded wire: 2xAWG 18-24
- △ ● Wire strip length: 9-10mm
- Withstanding Voltage: 1.6KV
- △ ● Operating temperature: -40°C to +115°C
- △ ● Soldering temperature: 260°C±5°C/5 Sec
- △ ● Safety Approval:
- △ ● Critical dimension: ▽



P.C.B. LAYOUT
Top view

HB xx 0 2 x 0 xxxx G

- △ No. OF POLES
 - 01: 1 POLES
 - 02: 2 POLES
 - :
 - 24: 24 POLES
- △ Body Color
 - 0 Black (RAL9005)
 - 2 Red (RAL3001/D)
 - 3 Orange(RAL2011/P)
 - 4 Yellow(RAL1018/A)
 - 5 Green(RAL6018/T)
 - 6 Blue (RAL5015/A)
 - 8 Grey(RAL7004/P)
 - 9 White(RAL1102)
 - C Multiple colors
- 0000 Standard @ Logo
- 000A Standard ANY Logo
- Any special item by customer request, please contact sales department.
- △ RoHs compliant (lead<4%) In copper Alloy

ANYTEK		CUSTOMER COPY	
ALL RIGHTS RESERVED. REPRODUCTION OR ISSUE TO THIRD PARTIES IN ANY FORM WHATSOEVER IS NOT PERMITTED WITHOUT WRITTEN AUTHORITY FROM THE PROPRIETOR. PROPERTY OF ANYTEK TECHNOLOGY CO., LTD			
TITLE	HB 5.0mm Series (Double wire)		
PART NO.	HBxx02x0xxxxG	DWG NO.	8HB0002
APPROVED	CHECKED	DESIGNED	DRAWN
		Da cheng 2013.01.02	Da cheng 2013.01.02
SHEET: 01/01		UNIT: mm	Tolerance
SCALE: NONE		REV.: E	X. ±0.50
			X.X ±0.30
			X.XX ±0.10
			X° ±1°