

SIGN	DATE	DESCRIPTION	APPROVER
△			

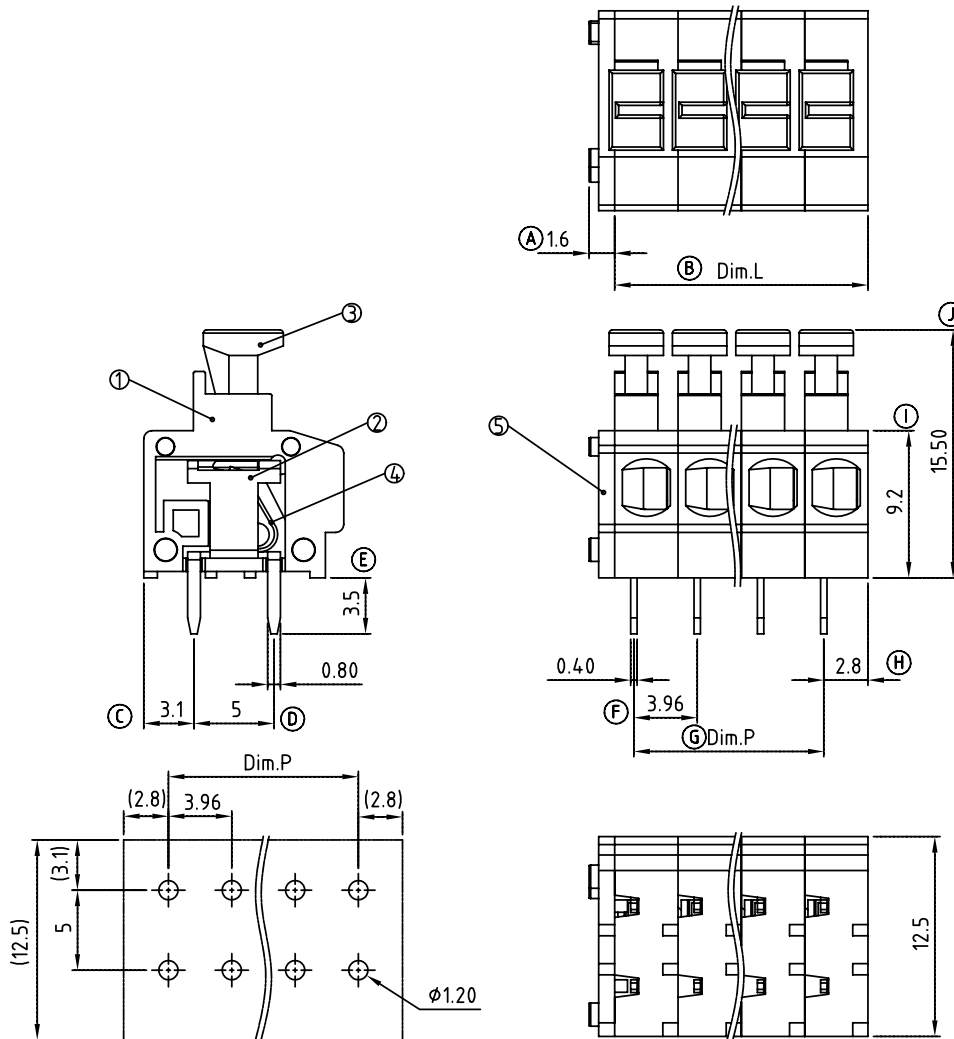
THIS IS CAD DRAWING, DO NOT REVISE MANUALLY!!!

Material:

- Item ① Insulating body: Thermoplastic ( UL94V-0 )
- Item ② contact pin: Brass Tin plated.
- Item ③ Insulating lever : Thermoplastic ( UL94V-0 )
- Item ④ Spring clamp : Stainless steel
- Item ⑤ Side Cover : Thermoplastic ( UL94V-0 )

Electrical:

- |                          |                   |
|--------------------------|-------------------|
|                          | cULus             |
| ● Voltage rating:        | 300V              |
| ● Current rating:        | 10A               |
| ● Wire range:            |                   |
| ● Solid wire(AWG):       | 16-20             |
| ● Stranded wire(AWG):    | 16-20             |
| ● Wire strip length:     | 9-10mm            |
| ● Withstanding Voltage:  | 1.6KV             |
| ● Operating temperature: | -40°C to +115°C   |
| ● Soldering temperature: | 250°C ±10°C/5 Sec |



P.C.B Layout

HB xx 41 x 0 xxxx G

- No. OF POLES  
 02: 2 POLES  
 :  
 24: 24 POLES  
 COLOR  
 0: Black  
 2: RED  
 3: ORANGE  
 5: GREEN (RAL6018/T)  
 8: GREY

G: Pb<40000ppm  
 0000 Standard @ Logo  
 000A Standard ANY Logo  
 Any special item by customer request, please contact sales department.

POLE		2	3	4	5	6	7	8	9	10	11	12
Dim.L		7.92	11.88	15.84	19.80	23.76	27.72	31.68	35.64	39.60	43.56	47.52
Dim.P		3.96	7.92	11.88	15.84	19.80	23.76	27.72	31.68	35.64	39.60	43.56
Tol.		±0.15					±0.25					
POLE	13	14	15	16	17	18	19	20	21	22	23	24
Dim.L	51.48	55.44	59.40	63.36	67.32	71.28	75.24	79.20	83.16	87.12	91.08	95.04
Dim.P	47.52	51.48	55.44	59.40	63.36	67.32	71.28	75.24	79.20	83.16	87.12	91.08
Tol.		±0.30					±0.40					

<b>ANYTEK</b>				<b>CUSTOMER COPY</b>			
ALL RIGHTS RESERVED. REPRODUCTION OR ISSUE TO THIRDPARTIES IN ANY FORM WHATSOEVER IS NOT PERMITTED WITHOUT WRITTEN AUTHORITY FROM THE PROPRIETOR. PROPERTY OF ANYTEK TECHNOLOGY CO., LTD							
TITLE	HB 3.96 mm With lever Series						
PART NO.	HBxx41x0xxxxG			DWG NO.	8HB0601		
APPROVED	CHECKED	DESIGNED	DRAWN	CUST NO.	Tolerance		
		Kind	Tony				X. ±0.50
		2009.11.03	2008.12.16				X.X ±0.30
							X.XX ±0.10
							X° ±1°