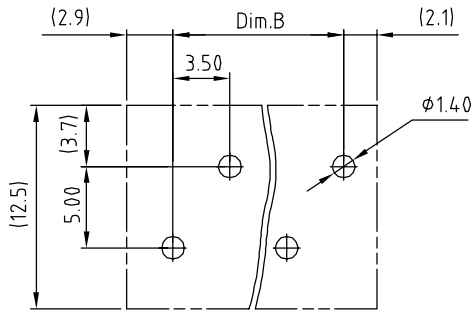
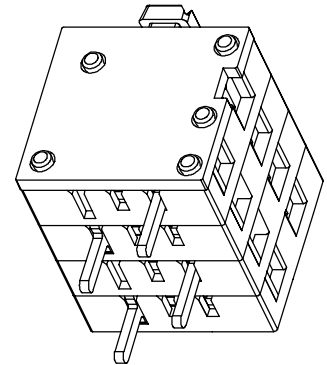
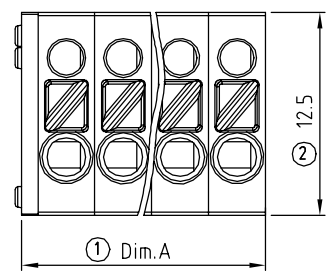


SIGN	DATE	DESCRIPTION	APPROVER
△	04/07'10	臺灣加膠	Runner
△	04/06'11	Add is spec.	Chen Bo

THIS IS CAD DRAWING, DO NOT REVISE MANUALLY!!!



P.C.B LAYOUT

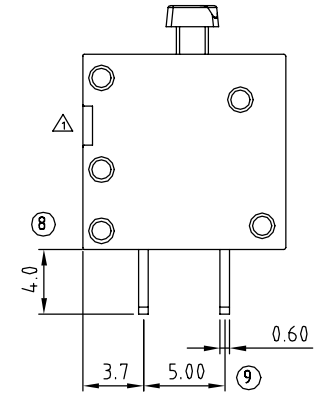
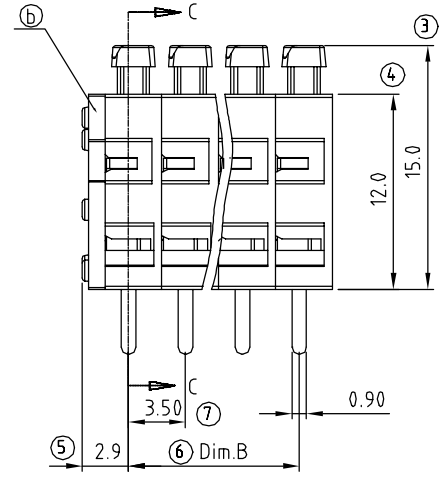
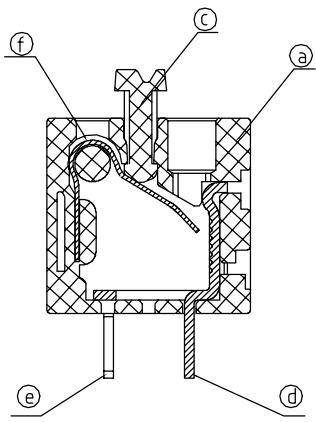


Material

- Item a Terminal housing: Thermoplastic (UL94V-0)
- Item b Terminal cover: Thermoplastic (UL94V-0)
- Item c Lever Thermoplastic (UL94V-0)
- Item d Solder pin (Right) Brass, Tin plated
- Item e Solder pin (Left) Brass, Tin plated
- Item f Wire guard: Stainless steel

Electrical cULus

- Voltage rating: AC 300V
- Current rating: 10A
- Wire range:
- Solid wire(AWG): 16-26
- Stranded wire(AWG): 16-26
- Wire strip length: 7-8mm
- Withstanding Voltage: 1.6KV
- Operating temperature: -40°C to +115°C
- Soldering temperature: 250°C±10°C/5 Sec
- Safety Approval: us



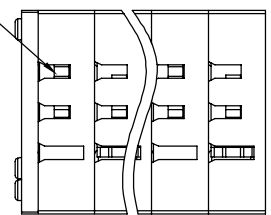
HX xx 20 x 1 xxxx G

- |             |   |                                       |
|-------------|---|---------------------------------------|
| NO of poles | 0 | G: Pb<40,000ppm                       |
| 01 1 Poles  | 0 | 0000: "@" Logo (Standard)             |
| 02 2 Poles  | 2 | 000A: "ANYTEK" Mark                   |
| ...         | 5 | Any special item by customer request. |
| 24 24 Poles | 8 | please contact sales department.      |
|             | 9 |                                       |
|             | C |                                       |

△ The 1st pole near the cover is single right contacts

N=Number of poles  
Dim.A=N×3.5+1  
Dim.B=(N-1)×3.5

Poles	2P~6P	7P~12P	13P~18P	19P~24P
Dim.A	±0.20	±0.25	±0.30	±0.40
Dim.B	±0.15	±0.20	±0.25	±0.30



<b>ANYTEK</b>				<b>CUSTOMER COPY</b>			
ALL RIGHTS RESERVED. REPRODUCTION OR ISSUE TO THIRD PARTIES IN ANY FORM WHATSOEVER IS NOT PERMITTED WITHOUT WRITTEN AUTHORITY FROM THE PROPRIETOR. PROPERTY OF ANYTEK TECHNOLOGY CO., LTD							
TITLE		HX 3.5 Series 90° interlace contact (Wire inlet)					
PART NO.		HXxx20x1xxxxG		DWG NO.		8HX0201	
APPROVED		CHECKED	DESIGNED	DRAWN	CUST NO.		Tolerance
			Runner	Chen Bo			X. ±0.50
			2011.04.07	2011.04.06			X.X ±0.30
					SHEET: 01/01		X.XX ±0.10
					UNIT: mm		X° ±1°
					SCALE: NONE		
					REV.: D		