

SIGN	DATE	DESCRIPTION	APPROVER
△	11/29'10	Structure changed	Runner
△	08/22'13	Add is cULus // update the drawing	Da cheng

**THIS IS CAD DRAWING, DO NOT REVISE MANUALLY!!!**

**Material:**

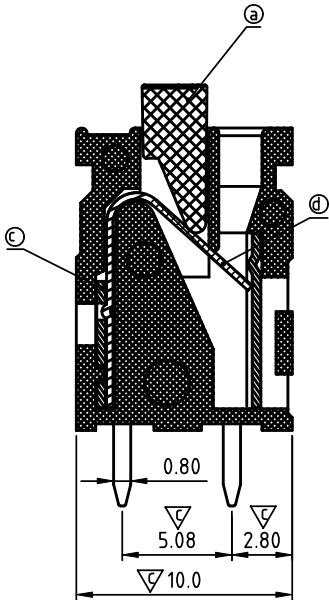
- Item a :Lever:Thermoplastic (UL94 V-0)
- Item b :Terminal Normal housing: Thermoplastic (UL94 V-0)
- Item c :Solder pin : Brass Tin plated
- Item d :Spring clamp: Stainless steel
- Item e :Terminal cover: Thermoplastic (UL94V-0)
- Item f :Terminal side housing: Thermoplastic (UL94 V-0)

**Electrical** cULus

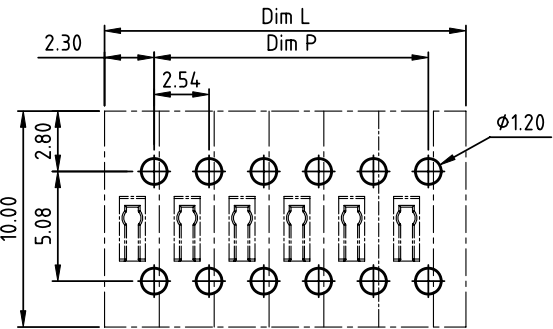
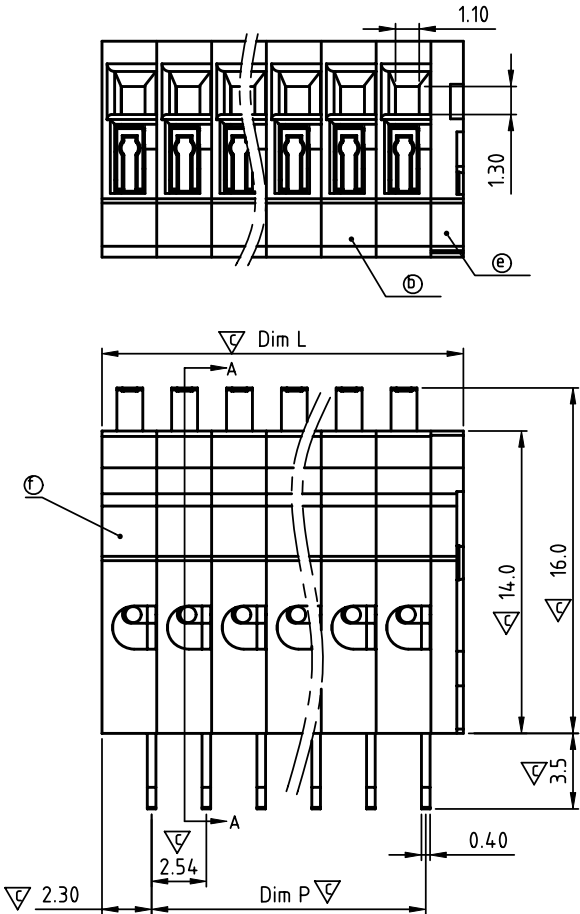
- Voltage rating: 150V
- Current rating: 3A
- Wire range:
- Solid wire(AWG): 20-28
- Stranded wire(AWG): 20-28
- Wire strip length: 9-10mm
- Withstanding Voltage: 1.3KV
- Operating temperature: -40°C to +115°C
- Soldering temperature: 260°C±5°C/5 Sec
- △ ● Safety Approval: us
- △ ● Critical dimension: ▽

**NA xx 50 x 0 xxxx G** RoHs compliant (lead-4%) In copper Alloy △

- |              |                     |                                       |
|--------------|---------------------|---------------------------------------|
| No. OF POLES | △ COLOR             | 0000: "@ " Logo (Standard)            |
| 02 2 poles   | 0 Black (RAL9005)   | 000A: "ANYTEK" Mark                   |
| 03 3 poles   | 2 Red (RAL3001/D)   |                                       |
| ...          | 3 Orange(RAL2011/P) | Any special item by customer request. |
| 24 24 poles  | 4 Yellow(RAL1018/A) | please contact sales department.      |
|              | 5 Green(RAL6018/T)  |                                       |
|              | 6 Blue (RAL5015/A)  |                                       |
|              | 8 Grey(RAL7004/P)   |                                       |
|              | 9 White(RAL1102)    |                                       |
|              | C Multiple colors   |                                       |



SECTION A-A



△ P.C.B LAYOUT  
Top view

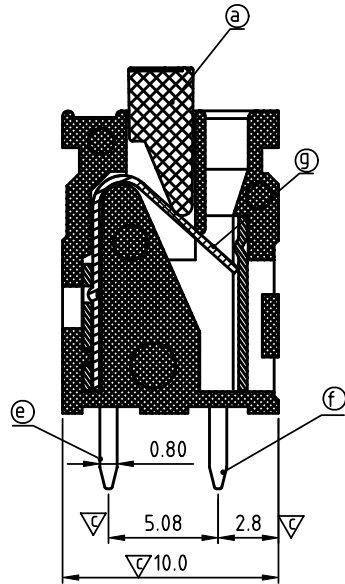
N = Number of poles  
 Dim L = N x 2.54 + 1.5  
 Dim P = (N - 1) x 2.54

	Dim A	Dim B
2-6p	±0.20	±0.20
6-12p	±0.25	±0.25
12-24p	±0.30	±0.30

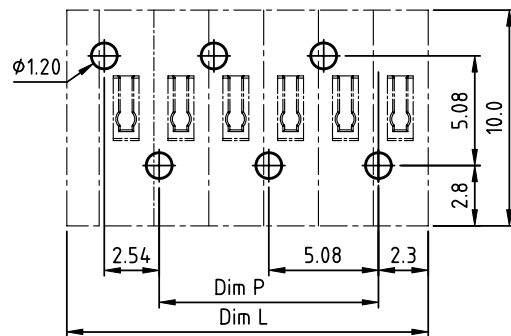
<h1>ANYTEK</h1>		<b>CUSTOMER COPY</b>	
ALL RIGHTS RESERVED. REPRODUCTION OR ISSUE TO THIRD PARTIES IN ANY FORM WHATSOEVER IS NOT PERMITTED WITHOUT WRITTEN AUTHORITY FROM THE PROPRIETOR. PROPERTY OF ANYTEK TECHNOLOGY CO., LTD			
TITLE: NA 2.54mm series Double tail A type Vertical (90D wire inlet)		DWG NO.: 8NA0101	
PART NO.: NAxx50x0xxxxG		CUST NO.:	
APPROVED:	CHECKED:	DESIGNED: Da cheng 2013.08.22	DRAWN: Da cheng 2013.08.22
SHEET: 01/01		UNIT: mm	X. ±0.50
		SCALE: 4/1	X.X ±0.30
		REV.: D	X.XX ±0.10
			X° ±1°

N = Number of poles  
 Dim L = N x 2.54 + 1.5  
 Dim P = (N - 1) x 2.54

	Dim L	Dim P
2-6p	±0.20	±0.20
6-12p	±0.25	±0.25
12-24p	±0.30	±0.30

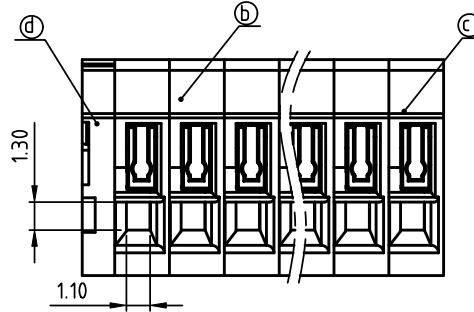
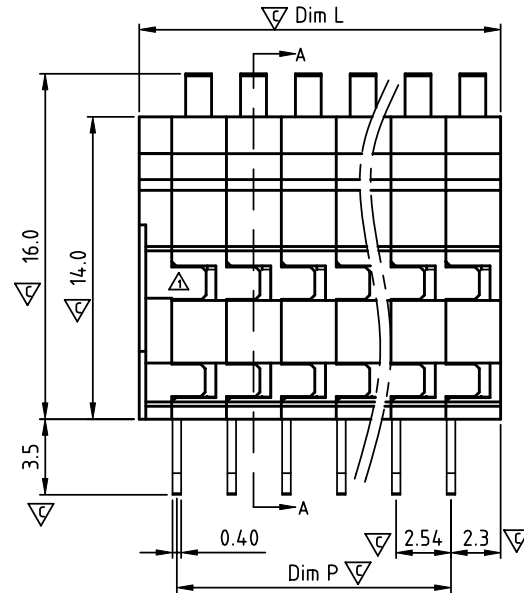
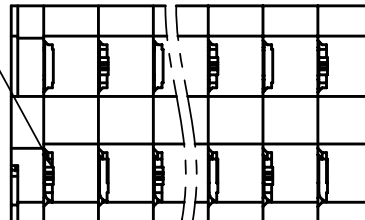


SECTION A-A



P.C.B LAYOUT  
Top view

△ Left contacts pin omit  
Right side with cover



SIGN	DATE	DESCRIPTION	APPROVER
△	11/29'10	Structure changed	Runner
△	04/06'11	Add is spec.	Chen Bo
△	08/22'13	Add is cULus // update the drawing	Da cheng

**THIS IS CAD DRAWING, DO NOT REVISE MANUALLY!!!**

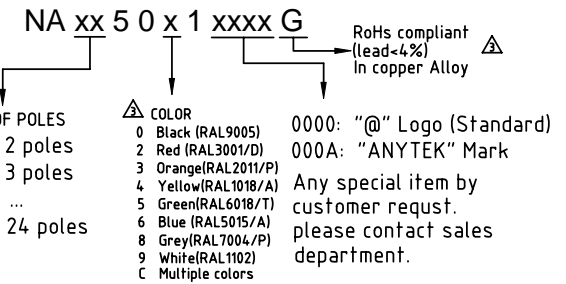
Material:

- Item a : Terminal lever: Thermoplastic (UL94 V-0)
- Item b : Terminal Normal housing: Thermoplastic (UL94 V-0)
- Item c : Terminal side body Thermoplastic (UL94 V-0)
- Item d : Terminal cover: Thermoplastic (UL94 V-0)
- Item e : Left contacts pin omit Right side: Brass Tin plated
- Item f : Right contacts pin omit Left side: Brass Tin plated
- Item g : wire guard: Stainless steel

Electrical

cULus

- Voltage rating: 150V
- Current rating: 3A
- Wire range:
- Solid wire(AWG): 20-28
- Stranded wire(AWG): 20-28
- Wire strip length: 9-10mm
- Withstanding Voltage: 1.3KV
- Operating temperature: -40°C to +115°C
- △ ● Soldering temperature: 260°C±5°C/5 Sec
- △ ● Safety Approval:
- △ ● Critical dimension:



ANYTEK		CUSTOMER COPY	
TITLE: NA 2.54mm series Single tail B type Vertical (90D wire inlet)			
PART NO. NAxx50x1xxxxG		DWG NO. 8NA0102	
APPROVED	CHECKED	DESIGNED	DRAWN
		Da cheng 2013.08.22	Da cheng 2013.08.22
SHEET: 01/01		Tolerance	
		UNIT: mm	X. ±0.50
		SCALE: 4/1	X.X ±0.30
		REV.: E	X.XX ±0.10
			X° ±1°