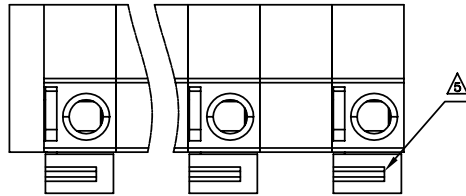


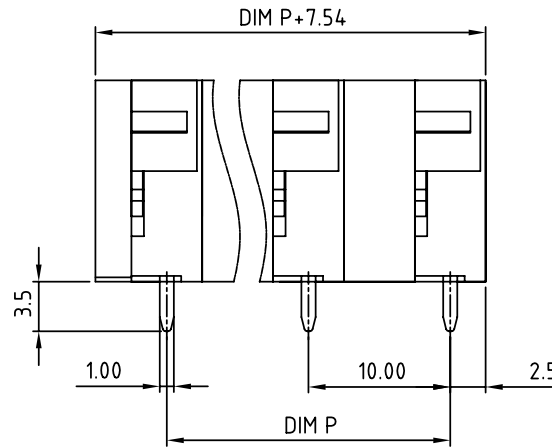
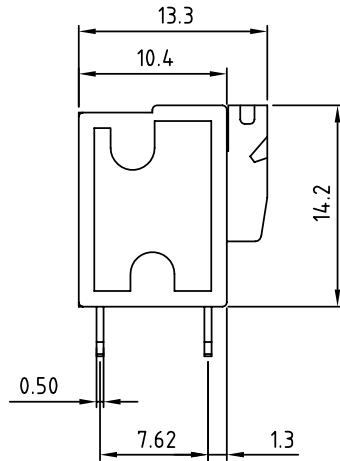
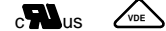
SIGN	DATE	DESCRIPTION	APPROVER
△	4.26	Material change.	Richard
△	11.17'05	Electrical is changed.	Marvin
△	10/11'06	Added VDE standard	Steady
△	01/20.07	The soldering emperature from245° to 250°	Aaron
△	2010.08.12	The design is changed	Chen Bo

THIS IS CAD DRAWING, DO NOT REVISE MANUALLY!!!



- △ Material
- Terminal body (Contact pin): Brass
 - Wire guard: Stainless steel
 - Surface of solder tail: Tin plated
 - Insulator (housing): Thermoplastic (UL94V-0)

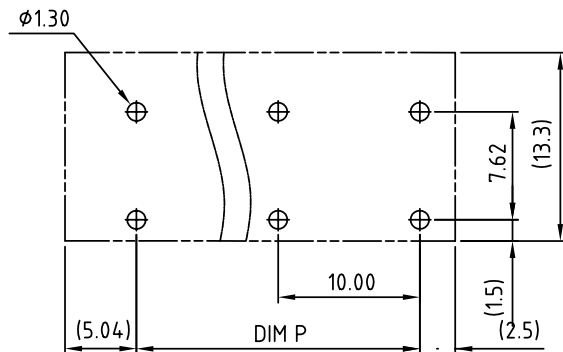
- △△ Electrical cULus/VDE
- Voltage rating: 300VAC/450VAC
 - Current rating: 10A/10A
 - Wire range: 0.75-1.5mm²
 - Solid wire(AWG): 14-24
 - Stranded wire(AWG): 14-24
 - Pull force:
 - Screw:
 - Wire strip length: 9-10mm
 - Withstanding Voltage: 1.6KV/2.5KV
 - Operating temperature: -40°C to +115°C
 - Soldering temperature: 250°C±10°C/5 Sec
 - Safety Approval:



N=Number of contacts

HA xx 40 x 0 xxxx G

- 02 2 CONTACTS 2 Red 0000: "@" Logo (Standard)
 - 03 3 CONTACTS 3 Orange 000A: "ANYTEK" Mark
 - 5 Green(RAL6018/T) Any special item by customer request.
 - 12 12 CONTACTS 8 Grey(RAL7004/P) please contact sales department.
- G: Pb<40,000ppm



P.C.B. LAYOUT

N = Number of poles
Dim P=(N-1)×10.0

	Dim P
2-6p	±0.10
7-12p	±0.20
13-18p	±0.25
19-24p	±0.30

ANYTEK

CUSTOMER COPY

ALL RIGHTS RESERVED. REPRODUCTION OR ISSUE TO THIRD PARTIES IN ANY FORM WHATSOEVER IS NOT PERMITTED WITHOUT WRITTEN AUTHORITY FROM THE PROPRIETOR. PROPERTY OF ANYTEK TECHNOLOGY CO., LTD

TITLE		HA-10.0mm 90° Series		
PART NO.	HAxx40x0xxxxG		DWG NO.	8HA0401
APPROVED	CHECKED	DESIGNED	DRAWN	CUST NO.
			Chen Bo 2010.08.12	
				Tolerance
				X. ±0.50
				X.X ±0.30
				X.XX ±0.10
				X° ±1°
SHEET: 01/01				UNIT: mm
				SCALE: NONE
				REV.: F