

SIGN	DATE	DESCRIPTION	APPROVER
△	4.26	Material change.	Richard
△	11.17'05	Electrical is changed.	Marvin
△	10/11'06	Added VDE standard	Steady
△	01/20.07	The soldering emperature from245° to 250°	Aaron
△	2010.08.12	The design is changed	Chen Bo

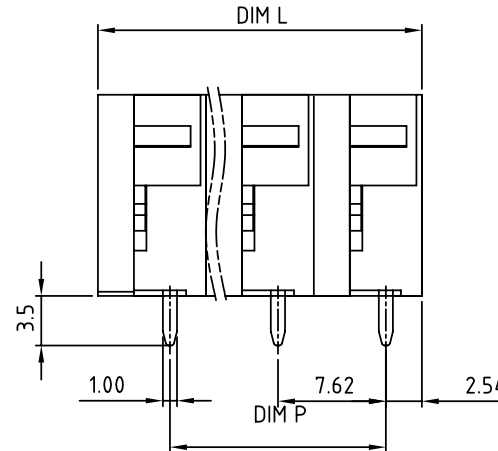
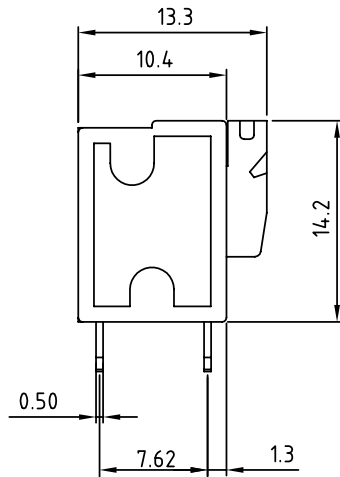
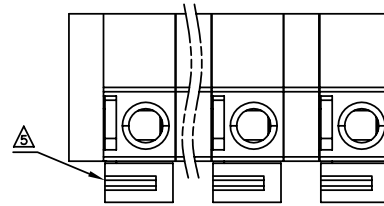
THIS IS CAD DRAWING, DO NOT REVISE MANUALLY!!!

△ Material

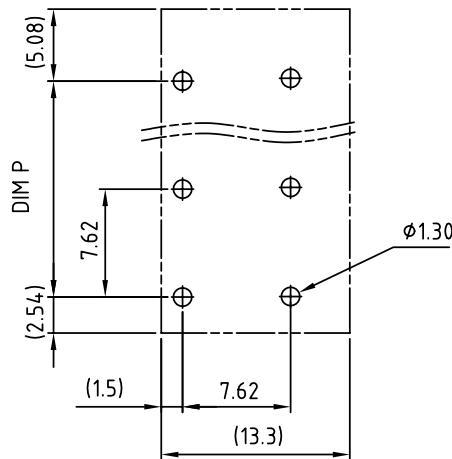
- Terminal body (Contact pin): Brass
- Wire guard: Stainless steel
- Surface of solder tail: Tin plated
- Insulator (housing): Thermoplastic (UL94V-0)

△△ Electrical cULus/VDE

- Voltage rating: 300VAC/450VAC
- Current rating: 10A/10A
- Wire range: 0.75-1.5mm²
- Solid wire(AWG): 14-24
- Stranded wire(AWG): 14-24
- Pull force:
- Screw:
- Wire strip length: 9-10mm
- Withstanding Voltage: 1.6KV/2.5KV
- Operating temperature: -40°C to +115°C
- Soldering temperature: 250°C±10°C/5 Sec
- Safety Approval:



N=Number of contacts



P.C.B. LAYOUT

N = Number of poles
 Dim L=Nx7.62
 Dim P=(N-1)x7.62

	Dim L	Dim P
2-6p	±0.15	±0.10
7-12p	±0.20	±0.20
13-18p	±0.30	±0.25
19-24p	±0.40	±0.30

HA xx 20 x 0 xxxx G

- 02 2 CONTACTS
 - 03 3 CONTACTS
 -
 - 16 16 CONTACTS
- 2 Red
 - 3 Orange
 - 5 Green(RAL6018/T)
 - 8 Grey(RAL7004/P)
- G: Pb<40,000ppm
- 0000: "@" Logo (Standard)
 000A: "ANYTEK" Mark
- Any special item by customer request, please contact sales department.

ANYTEK

CUSTOMER COPY

ALL RIGHTS RESERVED. REPRODUCTION OR ISSUE TO THIRD PARTIES IN ANY FORM WHATSOEVER IS NOT PERMITTED WITHOUT WRITTEN AUTHORITY FROM THE PROPRIETOR. PROPERTY OF ANYTEK TECHNOLOGY CO., LTD

TITLE		HA-7.62mm 90° series				
PART NO.		HAxx20x0xxxxG		DWG NO.		8HA0201
APPROVED		CHECKED	DESIGNED	DRAWN	CUST NO.	
				Chen Bo 2010.08.12	Tolerance	
					UNIT: mm	X. ±0.50
					SCALE: NONE	X.X ±0.30
					SHEET: 01/01	X.XX ±0.10
					REV: C	X° ±1°