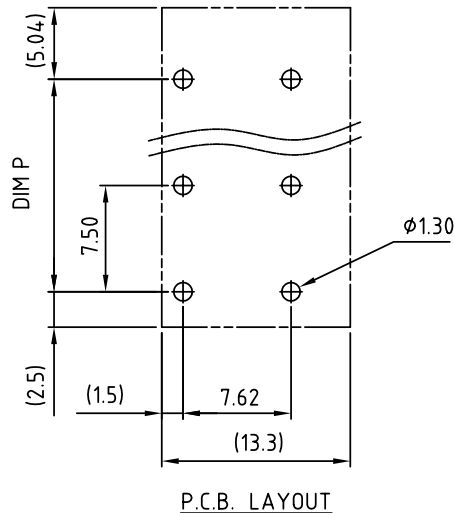
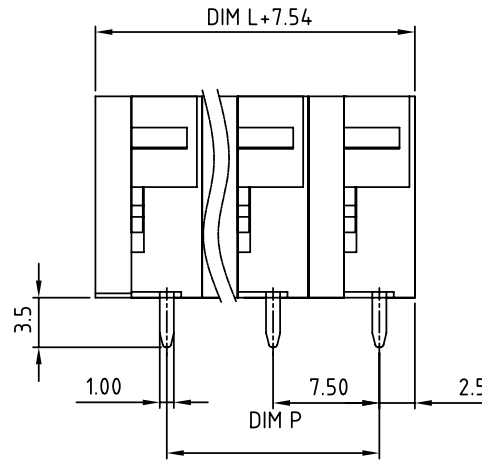
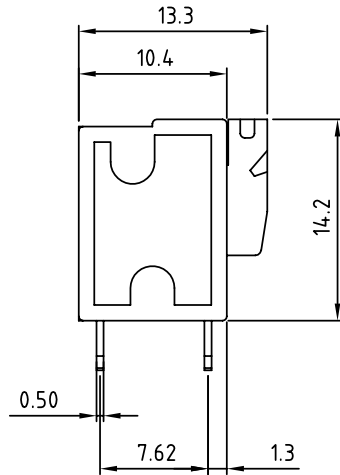
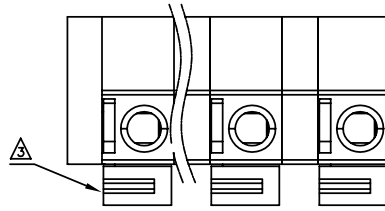


SIGN	DATE	DESCRIPTION	APPROVER
△	10/11'06	Added VDE standard	Steady
△	01/20.07	The soldering emperature from245° to 250°	Aaron
△	2010.08.12	The design is changed	Chen Bo
<i>THIS IS CAD DRAWING, DO NOT REVISE MANUALLY!!!</i>			



N=Number of contacts

N = Number of poles

Dim L=(N-1)x7.5

Dim P=(N-1)x7.5

	Dim L	Dim P
2-6p	±0.15	±0.10
7-12p	±0.20	±0.20
13-18p	±0.30	±0.25
19-24p	±0.40	±0.30

Material

- Terminal body (Contact pin): Brass
- Wire guard: Stainless steel
- Surface of solder tail: Tin plated
- Insulator (housing): Thermoplastic (UL94V-0)

△ Electrical cULus/VDE

- Voltage rating: 300VAC/450VAC
- Current rating: 10A/10A
- Wire range: 0.75-1.5mm²
- Solid wire(AWG): 14-24
- Stranded wire(AWG): 14-24
- Pull force:
- Screw:
- Wire strip length: 9-10mm
- Withstanding Voltage: 1.6KV/2.5KV
- Operating temperature: -40°C to +115°C
- Soldering temperature: 250°C±10°C/5 Sec
- Safety Approval:



HA xx 60 x 0 xxxx G

02	2 CONTACTS	2	Red	G: Pb<40,000ppm	0000: "@ Logo (Standard)
03	3 CONTACTS	3	Orange		000A: "ANYTEK" Mark
...	...	5	Green(RAL6018/T)		Any special item by customer request.
16	16 CONTACTS	8	Grey(RAL7004/P)		please contact sales department.

ANYTEK

CUSTOMER COPY

ALL RIGHTS RESERVED. REPRODUCTION OR ISSUE TO THIRD PARTIES IN ANY FORM WHATSOEVER IS NOT PERMITTED WITHOUT WRITTEN AUTHORITY FROM THE PROPRIETOR. PROPERTY OF ANYTEK TECHNOLOGY CO., LTD

TITLE		HA-7.5mm 90° Series				
PART NO.	HAxx60x0xxxxG			DWG NO.	8HA0301	
APPROVED	CHECKED	DESIGNED	DRAWN	CUST NO.	Tolerance	
			Chen Bo 2010.08.12		UNIT: mm	X. ±0.50
					SCALE: NONE	X.X ±0.30
				SHEET: 01/01	REV.: E	X.XX ±0.10
						X° ±1°